

INSTRUMENTVALVE

KOSTEVO

VALVES AND FITTINGS COMPANY

KOSTEVO Valves & Fittings Co., is the designer and manufacturer of stainless steel (SS) Valve Manifolds, Needle valves, Tube Fittings, Pipe Fittings, Ball Valves, Isolation Valves and Special Accessories used in Instrumentation, Hydraulics, Pneumatics with great care to meet the specifications required for a wide range of applications in Oil & Gas Industries, Chemical and Petrochemicals, Power generation, Agrochemicals, Pharmaceuticals & Vacuum Applications.

KOSTEVO Valves and Fitting co. based in Mumbai, Maharashtra, the financial capital of India.

MISSION

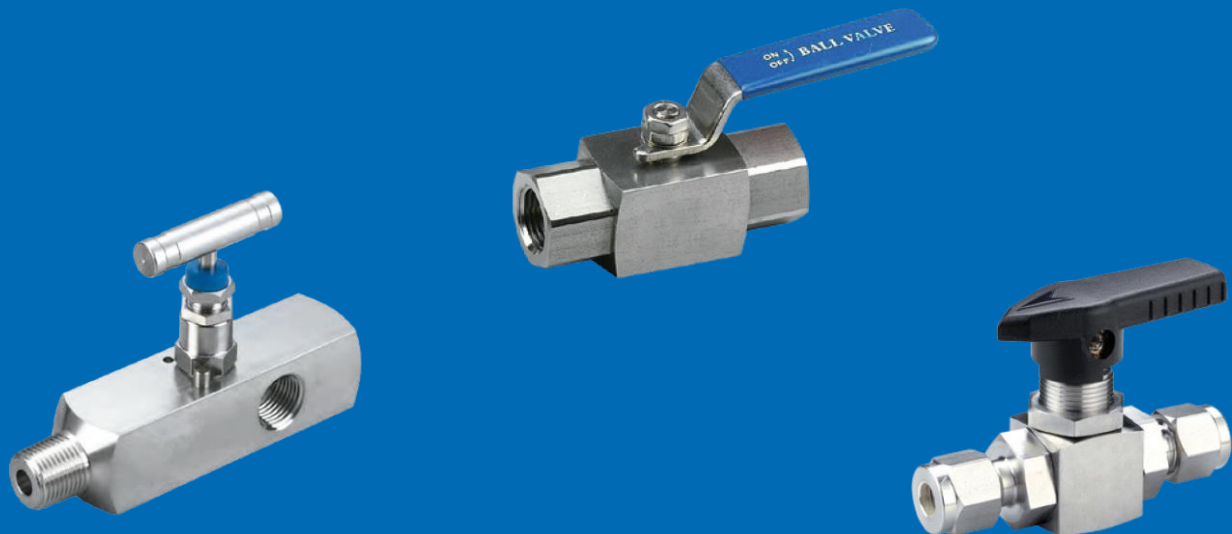
The mission of KOSTEVO Valves & Fittings Co., having commitment to deliver products and services to customer to meet their requirements and expectation by providing quality products and very timely service. We are focussing on long term commitment to the industry and our customers, which is achievable through collective Experience, Quality, Reliability and Improvement.

VISION

KOSTEVO Valves & Fittings Co., has a vision based on its commitment of continuous improvement and product innovation to meet industry requirements through customer feedback. The Company committed to provide the best possible solution to customer by quality products and services.

We offer a wide range of service to our clients. Procurement of raw materials from qualified and approved vendors and with complete traceability and test certificates. KOSTEVO Valves and Fitting Co., is the one-stop for all your valves & fittings needs; our marketing and manufacturing experience will help our customer to achieve the accurate and anticipated solutions swiftly.

KOSTEVO products are under gone stringent quality control test under qualified persons using in house laboratory facilities. All valves tested according to ANSI-B16.5 by using test medium the air, hydrogen and helium.



KOSTEVO Valves



KOSTEVO VALVES AND FITTING SCOMPANYhas been delivering quality products with high precision and excellence to its customers to meet industry requirements. It produced wide range of valves and accessories with precision using technically advanced machineries and manufacturing process. All the products are tested in house quality control facility and assure the product quality to meet international standards and safety norms.

IDEAIVAL VESANDFITTINGSCOMPANY, focusing in provide best customer service and reliable products. We committed to continual improvement throughout our establishment by adopting new technologies.





KOSTEVOLOK Ball Valves

Ball valves are preferred where the full flow and less operational torque is required.
Ball valves are suitable for water, oil, or gas application. These valves are not suitable for flow throttling purpose.
Valves shall be open position during system test to prevent from valve seat damage.

⚠WARNING:

When selecting a product, the system designer shall ensure the safe performance of the system. The system Designer and User shall be responsible for Function, material compatibility, adequate rating, proper installation, safe operation and maintenance of the system.

LOW PRESSURE BALL VALVES (Compact)

LP-H Series - Hex. Single Body

PRESSURE RANGE UP TO 2000 PSI

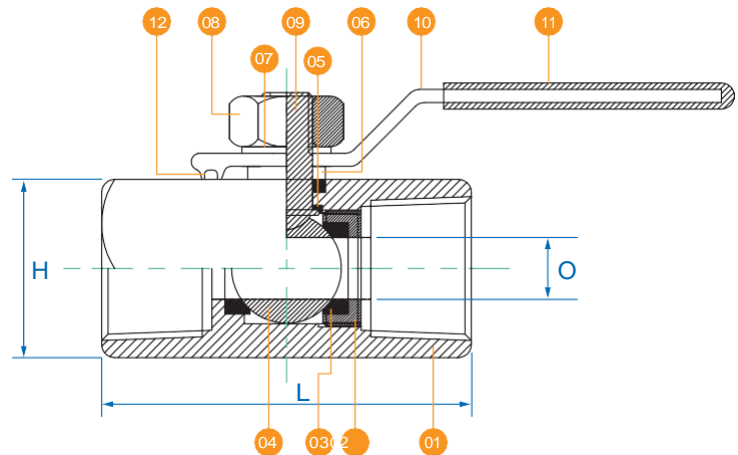
LP-H series ball valves are manufactured from High Integrity bar stock and it proved to be better than valves from cast materials. The design of these valves offers safe operation other than economically beneficial that the internals are being inserted through threads. It offers a single body design and reduces potential leak path. LPCH ball valves are suitable for wider range of applications specifically for water, oil and gases. Valves are available with T-bar or Lever handle.

Valve Features

- Manufactured from high integrity bar stock material SS 304L/SS 316 L.
- Economical design.
- One piece Body Design which prevents accidental removal of internals when installing and removing of valves from pipeline.
- Compact and reduced weight.
- Low torque and smooth 90° operation.
- Bi-directional floating ball design which ensures
- leak-proof shut-off on pressure or vacuum.
- Anti-blowout stem with shoulder design (internally Loaded) for safety and seal integrity.
- Temperature rating -50°C to 150°C.
- Pressure rating up to 2000 PSI.
- Full material traceability.
- 100% hydrostatically tested.
- Handle indicates open/close position.
- Available NPT or BSP thread end connection.

Components Key

Sl. No.	Description	Material	Quantity No.
1	Valve Body	SS316	1
2	Chuck Nut	SS316	1
3	Seat	PTFE	2
4	Ball	SS316	1
5	Stem Seal	PTFE	2
6	Gland	SS316	1
7	Spring Washer	SS304	1
8	Lock Nut	SS304	1
9	Stem	SS316	1
10	Handle	SS304	1
11	Sleeve	PVC	1
12	Pin	SS304	1



LP-H Series - NPT - 2000 PSI

Partno.	Con- nection -Inch Female	L-Valve Length mm	O-Bore mm	H- Hex.m m
IV-LP-H-BV-1-N4F-F	1/4	48.00	6.00	19.00
IV-LP-H-BV-1-N6F-F	3/8	48.00	8.00	22.00
IV-LP-H-BV-1-N8F-F	1/2	58.00	10.00	28.00
IV-LP-H-BV-1-N12F-F	3/4	64.00	13.00	36.00
IV-LP-H-BV-1-N16F-F	1	71.00	16.00	41.00
IV-LP-H-BV-1-N20F-F	1 1/4	87.00	18.00	50.00
IV-LP-H-BV-1-N24F-F	1 1/2	90.00	20.00	63.00
IV-LP-H-BV-1-N32F-F	2	114.00	25.00	70.00

LP-H Series - BSP - 2000 PSI

Partno.	Con- nection -Inch Female	L-Valve Length mm	O-Bore mm	H- Hex.m m
IV-LP-H-BV-1-G4F-F	1/4	48.00	6.00	19.00
IV-LP-H-BV-1-G6F-F	3/8	48.00	8.00	22.00
IV-LP-H-BV-1-G8F-F	1/2	58.00	10.00	28.00
IV-LP-H-BV-1-G12F-F	3/4	64.00	13.00	36.00
IV-LP-H-BV-1-G16F-F	1	71.00	16.00	41.00
IV-LP-H-BV-1-G20F-F	1 1/4	87.00	18.00	50.00
IV-LP-H-BV-1-G24F-F	1 1/2	90.00	20.00	63.00
IV-LP-H-BV-1-G32F-F	2	114.00	25.00	70.00

Note: Products conform to NACE MR0175 and from other materials available on request

MEDIUM PRESSURE BALL VALVES

MP-R Series-Roundbody-2piece

RANGE 3000PSI

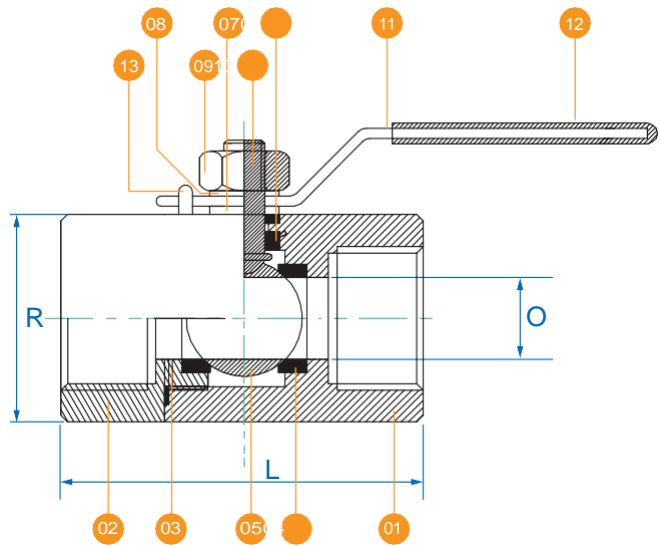
MP-R series ball valves are manufactured from high integrity bar stock and two-piece design. MPR series valves having flexible design and many possible combinations of end connections are available.

Valve Features

- Manufactured from high integrity bar stock material SS 304L/SS 316 L.
- Two-piece and flexible body design.
- Low torque and smooth 90° operation.
- Bi-directional floating ball design which ensures leak-proof shut-off on pressure or vacuum.
- Anti-blowout stem with shoulder design (internally loaded) for safety and seal integrity.
- Temperature rating -50°C to 230°C.
- Pressure rating up to 3000 PSI.
- Full material traceability.
- 100% hydrostatically tested.
- Handle indicates open/close position.
- Available NPT or BSPP thread end connection.

Components Key

Sl. No.	Description	Material	Quantity
1	Valve Body	SS316	1
2	End Connector	SS316	1
3	Body Gasket	PTFE	1
4	Seat	PTFE	2
5	Ball	SS316	1
6	Stem Seal	PTFE	2
7	Gland	SS316	1
8	Spring Washer	SS304	1
9	Lock Nut	SS304	1
10	Stem	SS316	1
11	Handle	SS304	1
12	Sleeve	PVC	1
13	Pin	SS304	1



MP-R Series-NPT-3000PSI

Partno.	Con- nection -Inch Female	L-Valve Length mm	O-Bore mm	R-OD mm
IV-MP-R-BV-2-N2F-F	1/8	55.00	4.00	27.00
IV-MP-R-BV-2-N4F-F	1/4	58.00	6.00	30.00
IV-MP-R-BV-2-N6F-F	3/8	58.00	8.00	30.00
IV-MP-R-BV-2-N8F-F	1/2	70.00	10.00	35.00
IV-MP-R-BV-2-N12F-F	3/4	75.00	12.00	42.00
IV-MP-R-BV-2-N16F-F	1	85.00	18.00	48.00
IV-MP-R-BV-2-N20F-F	1 1/4	100.00	20.00	62.00
IV-MP-R-BV-2-N24F-F	1 1/2	105.00	22.00	66.00
IV-MP-R-BV-2-N32F-F	2	120.00	25.00	85.00

MP-R Series-BSPP-3000PSI

Partno.	Con- nection -Inch Female	L-Valve Length mm	O-Bore mm	R-OD mm
IV-MP-R-BV-2-G2F-F	1/8	55.00	4.00	27.00
IV-MP-R-BV-2-G4F-F	1/4	58.00	6.00	30.00
IV-MP-R-BV-2-G6F-F	3/8	58.00	8.00	30.00
IV-MP-R-BV-2-G8F-F	1/2	70.00	10.00	35.00
IV-MP-R-BV-2-G12F-F	3/4	75.00	12.00	42.00
IV-MP-R-BV-2-G16F-F	1	85.00	18.00	48.00
IV-MP-R-BV-2-G20F-F	1 1/4	100.00	20.00	62.00
IV-MP-R-BV-2-G24F-F	1 1/2	105.00	22.00	66.00
IV-MP-R-BV-2-G32F-F	2	120.00	25.00	85.00

Note: Products conform to NACE MR0175 and from other materials available on request

MEDIUM PRESSURE BALL VALVES

MP-S Series - Square body - 3 piece - Single nut panel mounting

RANGE 3000PSI

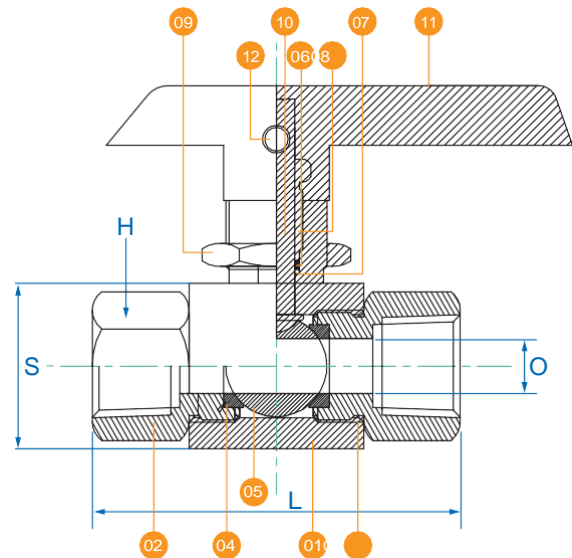
MP-S series Single nut panel mount ball valves are manufactured from High Integrity barstock and three piece design. The single nut and compact design allows fast mounting of valves and easy installation. Maximum allowed panel thickness is 10mm.

Valve Features

- Manufactured from high integrity barstock material SS 304L/ 316 L.
- Three piece Body Design.
- Single nut panel mounting facility for ease of installation.
- Low torque and smooth 90° operation.
- Bi-directional floating ball design which ensures leak-proof shut-off on pressure or vacuum.
- Anti-blowout stem with shoulder design (internally Loaded) for safety and seal integrity.
- Temperature rating -50°C to 230°C.
- Pressure rating up to 3000PSI.
- Full material traceability.
- 100% hydrostatically tested.
- Handle indicates open/close position.
- Available NPT or BSPP thread end connection.

Components Key

Sl. No.	Description	Material	Quantity No.
1	Valve Body	SS316	1
2	End Connector	SS316	2
3	Body Gasket	PTFE	2
4	Seat	PTFE	2
5	Ball	SS316	1
6	Gland Seal	PTFE	1
7	Gland Washer	SS316	1
8	Gland Adjuster	SS316	1
9	Panel Nut	SS304	1
10	Stem	SS316	1
11	Handle	Plastic	1
12	Grub Screw	SS304	1



MP-S Series - NPT - 3000PSI

Partno.	Con. - Inch Female	L- Valve Length mm	O- Bore mm	H- Hex. mm	S mm
IV-MP-S-PBV-3-2N2F-F	1/8	60.00	4.00	19.00	25.00
IV-MP-S-PBV-3-2N4F-F	1/4	65.00	6.00	22.00	25.00
IV-MP-S-PBV-3-2N6F-F	3/8	65.00	8.00	25.00	28.00
IV-MP-S-PBV-3-2N8F-F	1/2	95.00	10.00	28.00	32.00
IV-MP-S-PBV-3-2N12F-F	3/4	95.00	12.00	36.00	40.00
IV-MP-S-PBV-3-2N16F-F	1	110.00	18.00	41.00	50.00

MP-S Series - BSPP - 3000PSI

Partno.	Con. - Inch Female	L- Valve Length mm	O- Bore mm	H- Hex. mm	S mm
IV-MP-S-PBV-3-2G2F-F	1/8	60.00	4.00	19.00	25.00
IV-MP-S-PBV-3-2G4F-F	1/4	65.00	6.00	22.00	25.00
IV-MP-S-PBV-3-2G6F-F	3/8	65.00	8.00	25.00	28.00
IV-MP-S-PBV-3-2G8F-F	1/2	95.00	10.00	28.00	32.00
IV-MP-S-PBV-3-2G12F-F	3/4	95.00	12.00	36.00	40.00
IV-MP-S-PBV-3-2G16F-F	1	110.00	18.00	41.00	50.00

Note: Products conform to NACE MR0175 and from other materials available on request

TWOWAYBALLVALVE

MP-S Series-Squarebody-Panelmounting(CompressionFittingConnection)

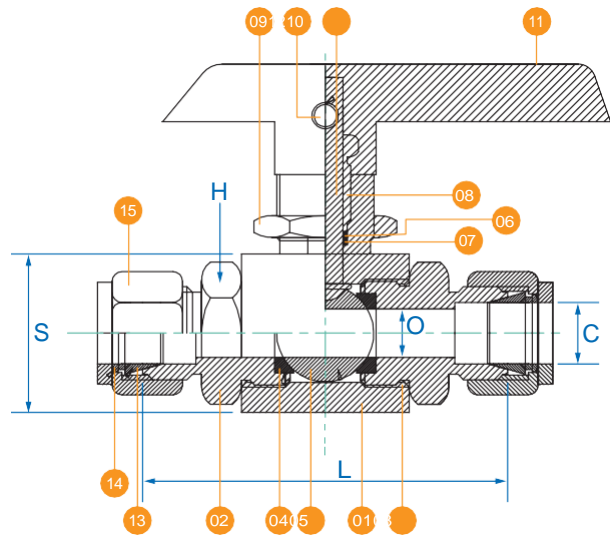
RANGE3000PSI

ValveFeatures

- Manufactured from high integrity barstock material SS 304L/ 316 L.
- ThreepieceBodyDesign.
- Singlenut panel mountingfacilityforeaseinstallation.
- Lowtorqueandsmooth90ooperation.
- Bi-directionalfloatingballdesignwhichensureleak- proof shut-off on pressure or vacuum.
- Anti-blowoutstemwithshoulderdesign(internally Loaded)forsafetyandsealintegrity.
- Temperaturerating-50oCto230oC.
- Pressureratingupto3000PSI.
- Fullmaterialtraceability.
- 100%hydrostaticallytested.
- Handleindicatesopen/closeposition.
- AvailableInchorMetricTubeendconnection.

ComponentsKey

Sl. No.	Description	Material	QuantityNo.
1	ValveBody	SS316	1
2	EndConnector	SS316	2
3	Body Gasket	PTFE	2
4	Seat	PTFE	2
5	Ball	SS316	1
6	GlandSeal	PTFE	1
7	GlandWasher	SS316	1
8	GlandAdjuster	SS316	1
9	PanelNut	SS304	1
10	Stem	SS316	1
11	Handle	Plastic	1
12	GrubScrew	SS304	1
13	FrontFerrule	SS316	2
14	BackFerrule	SS316	2
15	Nut	SS316	2



MP-S Series-NPT-3000PSI

Partno.	Con. - Inch Tube	L- ValveLengthmm	O- Boremm	H- Hex. mm	S mm
IV-MP-S-PBV-3-2N2	1/8	60.00	4.00	12.00	25.00
IV-MP-S-PBV-3-2N4	1/4	65.00	6.00	17.00	25.00
IV-MP-S-PBV-3-2N6	3/8	65.00	8.00	19.00	28.00
IV-MP-S-PBV-3-2N8	1/2	95.00	10.00	20.50	32.00
IV-MP-SP-PBV-3-2N12	3/4	95.00	12.00	30.00	40.00
IV-MP-S-PBV-3-2N16	1	95.00	18.00	38.00	50.00

MP-S Series-BSPP-3000PSI

Partno.	Con. - mm Tube	L- ValveLengthmm	O- Boremm	H- Hex. mm	S mm
IV-MP-S-PBV-3-2M4	6mm	65.00	5.00	14.00	25.00
IV-MP-S-PBV-3-2M6	8mm	65.00	6.00	17.00	28.00
IV-MP-S-PBV-3-2M8	10mm	78.00	8.00	19.00	32.00
IV-MP-S-PBV-3-2M12	12mm	95.00	9.00	20.50	40.00

Note: Products Conform to NACE MR0175 and from other materials available on request

THREWAYBALLVALVE

MP-S Series-Squarebody-Panelmounting(CompressionFittingConnection)

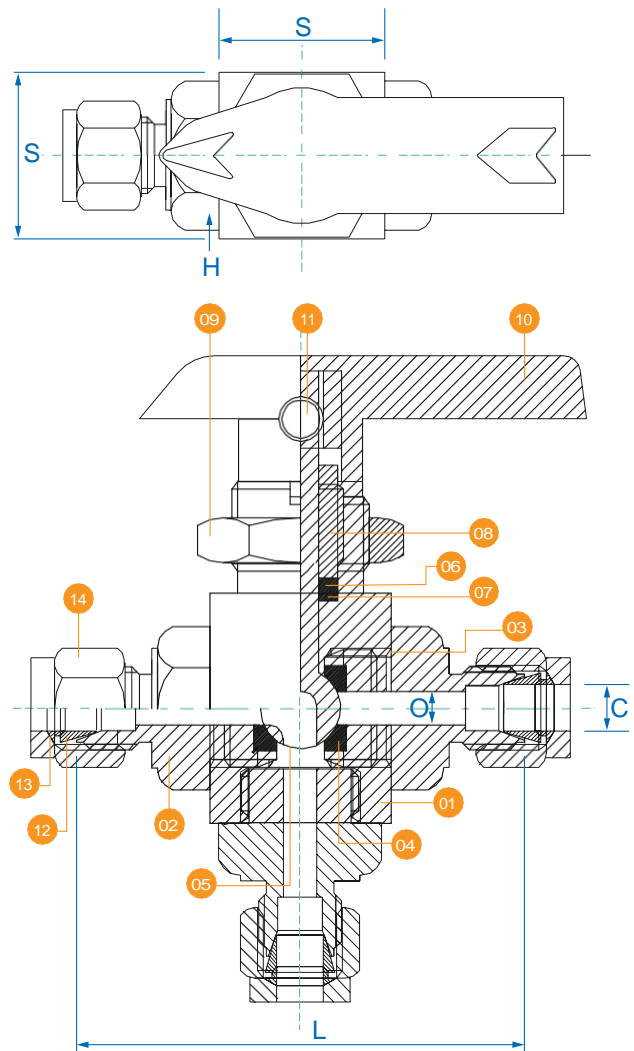
RANGE3000PSI

ValveFeatures

- Manufactured from high integrity barstock material SS 304L/ 316 L.
- Singlenut panel mountingfacilityforeaseinstallation.
- Lowtorqueandsmooth90ooperation.
- Bi-directionalfloatingballdesignwhichensureleak- proof shut-off on pressure or vacuum.
- Anti-blowoutstemwithshoulderdesign(internally Loaded) for safety and seal integrity.
- Temperaturerating-50oCto230oC.
- Pressureratingupto3000PSI.
- Fullmaterialtraceability.
- 100%hydrostaticallytested.
- Handleindicatesopen/closeposition.
- AvailableInchorMetricTubeendconnection.

ComponentsKey

Sl. No.	Description	Material	QuantityNo.
1	ValveBody	SS316	1
2	EndConnector	SS316	3
3	Body Gasket	PTFE	3
4	Seat	PTFE	3
5	BallandStem	SS316	1
6	GlandSeal	PTFE	1
7	GlandWasher	SS316	1
8	GlandAdjuster	SS316	1
9	PanelNut	SS304	1
10	Handle	Plastic	1
11	GrubScrew	SS304	1
12	FrontFerrule	SS316	3
13	BackFerrule	SS316	3
14	Nut	SS316	3



MP-S Series-TubeInch-3000PSI

Partno.	Con. - Inch Tube	L- ValveLen gthmm	O- Borem m	H- Hex. mm	S mm
IV-MP-S-PBV-4-3N2	1/8	60.00	4.00	12.00	25.00
IV-MP-S-PBV-4-3N4	1/4	65.00	6.00	17.00	25.00
IV-MP-S-PBV-4-3N6	3/8	65.00	8.00	19.00	28.00
IV-MP-S-PBV-4-3N8	1/2	95.00	10.00	20.50	32.00
IV-MP-SP-PBV-4-3N12	3/4	95.00	12.00	30.00	40.00
IV-MP-S-PBV-4-3N16	1	95.00	18.00	38.00	50.00

MP-S Series-NPT-3000PSI

Partno.	Con. - InchFemale	L- ValveLen gthmm	O- Borem m	H- Hex. mm	S mm
IV-MP-S-PBV-4-3N2F-F	1/8	60.00	4.00	14.00	25.00
IV-MP-S-PBV-4-3N4F-F	1/4	65.00	6.00	19.00	25.00
IV-MP-S-PBV-4-3N6F-F	3/8	65.00	8.00	22.00	28.00
IV-MP-S-PBV-4-3N8F-F	1/2	95.00	10.00	27.00	32.00
IV-MP-SP-PBV-4-3N12F-F	3/4	95.00	12.00	32.00	40.00
IV-MP-S-PBV-4-3N16F-F	1	105.00	18.00	38.00	50.00

Note: Products Conform to NACE MR0175 and from other materials available on request

FIVEWAYBALLVALVE

MP-S Series-Squarebody-Panelmounting(CompressionFittingConnection)

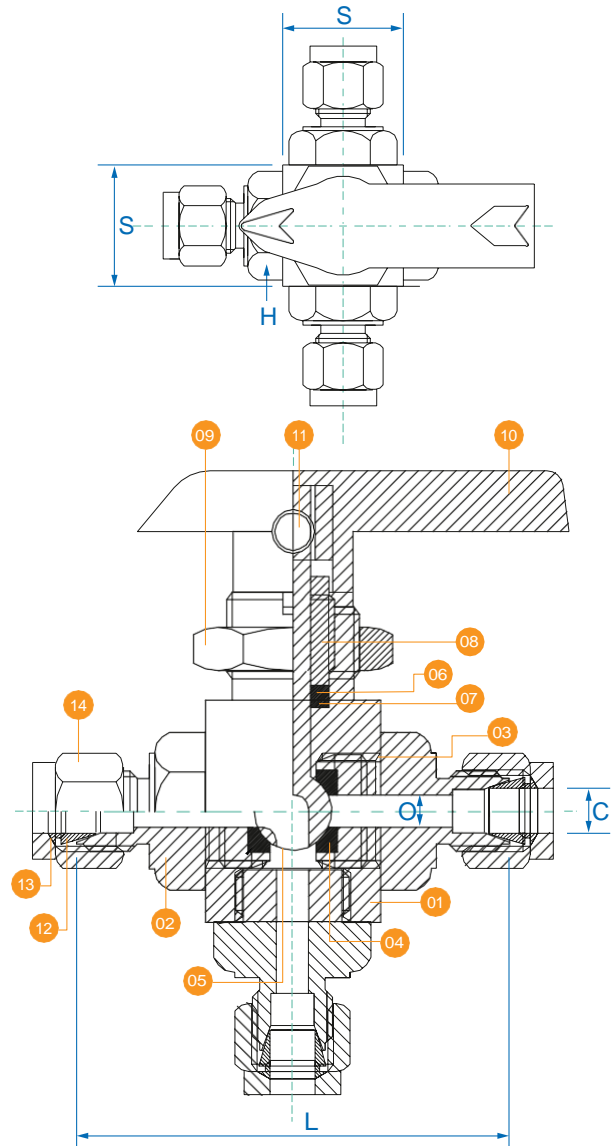
RANGE3000PSI

ValveFeatures

- Manufactured from high integrity barstock material SS 304L/ 316 L.
- Singlenut panel mountingfacilityforeaseinstallation.
- Lowtorqueandsmooth90ooperation.
- Bi-directionalfloatingballdesignwhichensureleak- proof shut-off on pressure or vacuum.
- Anti-blowoutstemwithshoulderdesign(internally Loaded) for safety and seal integrity.
- Temperaturerating-50oCto230oC.
- Pressureratingupto3000PSI.
- Fullmaterialtraceability.
- 100%hydrostaticallytested.
- Handleindicatesopen/closeposition.
- AvailableInchorMetricTubeendconnection.

ComponentsKey

Sl. No.	Description	Material	QuantityNo.
1	ValveBody	SS316	1
2	EndConnector	SS316	3
3	Body Gasket	PTFE	3
4	Seat	PTFE	3
5	BallandStem	SS316	1
6	GlandSeal	PTFE	1
7	GlandWasher	SS316	1
8	GlandAdjuster	SS316	1
9	PanelNut	SS304	1
10	Handle	Plastic	1
11	GrubScrew	SS304	1
12	FrontFerrule	SS316	3
13	BackFerrule	SS316	3
14	Nut	SS316	3



MP-S Series-TubeInch-3000PSI

Partno.	Con. - Inch Tube	L- Valve Length mm	O- Bore mm	H- Hex. mm	S mm
IV-MP-S-PBV-4-5N2	1/8	60.00	4.00	12.00	25.00
IV-MP-S-PBV-4-5N4	1/4	65.00	6.00	17.00	25.00
IV-MP-S-PBV-4-5N6	3/8	65.00	8.00	19.00	28.00
IV-MP-S-PBV-4-5N8	1/2	95.00	10.00	20.50	32.00
IV-MP-SP-PBV-4-5N12	3/4	95.00	12.00	30.00	40.00
IV-MP-S-PBV-4-5N16	1	95.00	18.00	38.00	50.00

MP-S Series-NPT-3000PSI

Partno.	Con. - Inch Female	L- Valve Length mm	O- Bore mm	H- Hex. mm	S mm
IV-MP-S-PBV-4-5N2F-F	1/8	60.00	4.00	14.00	25.00
IV-MP-S-PBV-4-5N4F-F	1/4	65.00	6.00	19.00	25.00
IV-MP-S-PBV-4-5N6F-F	3/8	65.00	8.00	22.00	28.00
IV-MP-S-PBV-4-5N8F-F	1/2	95.00	10.00	27.00	32.00
IV-MP-S-PBV-4-5N12F-F	3/4	95.00	12.00	32.00	40.00
IV-MP-S-PBV-4-5N16F-F	1	105.00	18.00	38.00	50.00

Note: Products Conform to NACE MR0175 and from other materials available on request

HIGH PRESSURE BALL VALVES

HP-S Series-Squarebody-3piece

RANGE UPTO 6000PSI

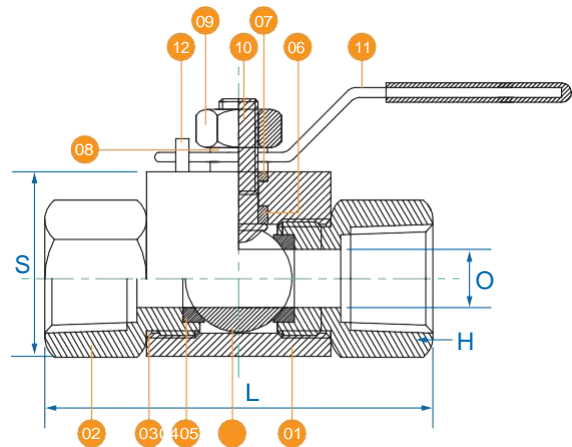
HP-S series ball valves are manufactured from High Integrity bar stock and three piece design. Its flexible design offers easy maintenance.

Valve Features

- Manufactured from high integrity bar stock materials 304L/SS 316 L.
- Three piece Body Design.
- Choice of panel mounting model (optional) for ease in installation.
- Low torque and smooth 90° operation.
- Bi-directional floating ball design which ensures leak-proof shut-off on pressure or vacuum.
- Anti-blowout stem with shoulder design (internally loaded) for safety and seal integrity.
- Temperature rating -20°C to 250°C.
- Pressure rating up to 6000 PSI.
- Full material traceability.
- 100% hydrostatically tested.
- Handle indicates open/close position.
- Available NPT or BSP thread end connection.

Components Key

Sl. No.	Description	Material	Quantity
1	Valve Body	SS316	1
2	End Connector	SS316	2
3	Body Gasket	PTFE	2
4	Seat	Derlin	2
5	Ball	SS316	1
6	Gland Seal	Derlin	2
7	Gland Washer	SS316	1
8	Spring Washer	SS304	1
9	Lock Nut	SS304	1
10	Stem	SS316	1
11	Handle	SS304+Plastic	1
12	Pin	SS304	1



HP S Series-NPT-6000PSI

Partno.	Con. - Inch Female	L- Valve Length mm	O- Bore mm	H- Hex. mm	S mm
IV-HP-S-BV-3-N4F-F	1/4	68.00	6.00	22.00	32.00
IV-HP-S-BV-3-N6F-F	3/8	74.00	8.00	25.00	32.00
IV-HP-S-BV-3-N8F-F	1/2	93.00	10.00	28.00	40.00
IV-HP-S-BV-3-N12F-F	3/4	95.00	12.00	36.00	45.00
IV-HP-S-BV-3-N16F-F	1	116.00	16.00	41.00	50.00
IV-HP-S-BV-3-N20F-F	1 1/4	116.00	18.00	45.00	60.00
IV-HP-S-BV-3-N24F-F	1 1/2	150.00	20.00	63.00	75.00
IV-HP-S-BV-3-N32F-F	2	168.00	25.00	75.00	95.00

HP S Series-BSP-6000PSI

Partno.	Con. - Inch Female	L- Valve Length mm	O- Bore mm	H- Hex. mm	S mm
IV-HP-S-BV-3-G4F-F	1/4	68.00	6.00	22.00	32.00
IV-HP-S-BV-3-G6F-F	3/8	74.00	8.00	25.00	32.00
IV-HP-S-BV-3-G8F-F	1/2	93.00	10.00	28.00	40.00
IV-HP-S-BV-3-G12F-F	3/4	95.00	12.00	36.00	45.00
IV-HP-S-BV-3-G16F-F	1	116.00	16.00	41.00	50.00
IV-HP-S-BV-3-G20F-F	1 1/4	116.00	18.00	45.00	60.00
IV-HP-S-BV-3-G24F-F	1 1/2	150.00	20.00	63.00	75.00
IV-HP-S-BV-3-G32F-F	2	168.00	25.00	75.00	95.00

Note: Products conform to NACE MR0175 and from other materials available on request

HEAVY DUTY HIGH PRESSURE BALL VALVES

HD-H Series-Hex. Body-2piece

RANGE UPTO 10000PSI

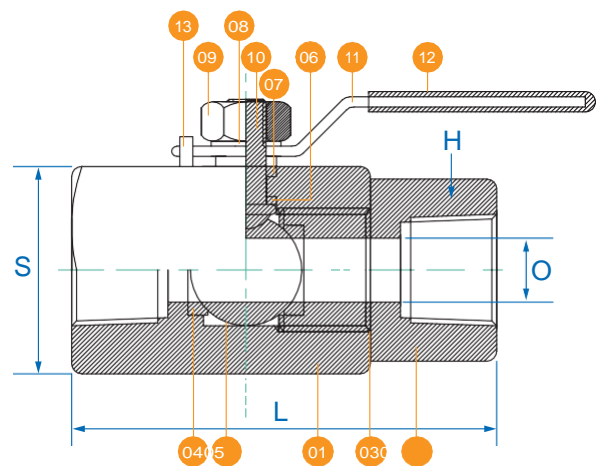
HD-H series ball valves are manufactured from high integrity bar stock and two piece design. HD-H series valves having flexible design and many possible combinations of end connections are available.

Valve Features

- Manufactured from high integrity bar stock material SS 304L/ SS 316 L.
- Two piece and flexible body design.
- Low torque and smooth 90° operation.
- Bi-directional floating ball design which ensure leak-proof shut-off on pressure or vacuum.
- Anti-blowout stem with shoulder design (internally loaded) for safety and seal integrity.
- Temperature rating -50°C to 230°C.
- Pressure rating up to 10000 PSI.
- Full material traceability.
- 100% hydrostatically tested.
- Handle indicates open/close position.
- Available NPT or BSPP thread end connection.

Components Key

Sl. No.	Description	Material	Quantity
1	Valve Body	SS316	1
2	End Connector	SS316	1
3	Body Gasket	PTFE	1
4	Seat	PEEK	2
5	Ball	SS316	1
6	Stem Seal	PEEK	2
7	Gland	SS316	1
8	Spring Washer	SS304	1
9	Lock Nut	SS304	1
10	Stem	SS316	1
11	Handle	SS304	1
12	Handle Sleeve	PVC	1
13	Pin	SS304	1



HD-H Series-NPT-10000PSI

Partno.	Con. - Inch Female	L- Valve Length mm	O- Bore mm	H- Hex. mm	S mm
IV-HD-H-BV-2-N2F-F	1/8	68.00	4.00	19.00	25.00
IV-HD-H-BV-2-N4F-F	1/4	79.00	6.00	27.00	32.00
IV-HD-H-BV-2-N6F-F	3/8	79.00	8.00	30.00	32.00
IV-HD-H-BV-2-N8F-F	1/2	85.00	10.00	32.00	38.00
IV-HD-H-BV-2-N12F-F	3/4	102.00	12.00	41.00	45.00
IV-HD-H-BV-2-N16F-F	1	108.00	14.00	45.00	50.00

HD-H Series -BSPP-10000PSI

Partno.	Con. - Inch Female	L- Valve Length mm	O- Bore mm	H- Hex. mm	S mm
IV-HD-H-BV-2-G2F-F	1/8	68.00	4.00	19.00	25.00
IV-HD-H-BV-2-G4F-F	1/4	79.00	6.00	27.00	32.00
IV-HD-H-BV-2-G6F-F	3/8	79.00	8.00	30.00	32.00
IV-HD-H-BV-2-G8F-F	1/2	85.00	10.00	32.00	38.00
IV-HD-H-BV-2-G12F-F	3/4	102.00	12.00	41.00	45.00
IV-HD-H-BV-2-G16F-F	1	108.00	14.00	45.00	50.00

Note: Products conform to NACE MR0175 and from other materials available on request



KOSTEVOLOK Check Valves

The KOSTEVOLOK Non Return Valves, designed for prevention of backflow in a pressurised system, having a soft primary seat suitable for gases or liquid

- Manufactured from high integrity bar stock material SS304L/SS316 L.
- Valve have a primary soft seat achieving leak free tight close and with secondary metal to metal seal
- Close tolerance guided spring and piston design prevents from seizure or grabbing
- Temperature rating -40oC to 150oC.
- Pressure rating up to 10000PSI.
- Full material traceability.
- 100% hydrostatically tested.
- Available NPT or BSPP thread or compression tube end connection.

⚠WARNING:

When selecting a product, the system designer shall ensure the safe performance of the system. The system Designer and User shall be responsible for Function, material compatibility, adequate rating, proper installation, safe operation and maintenance of the system.

MEDIUM PRESSURE CHECK VALVES

MP-H Series - Hexagonal Single Body

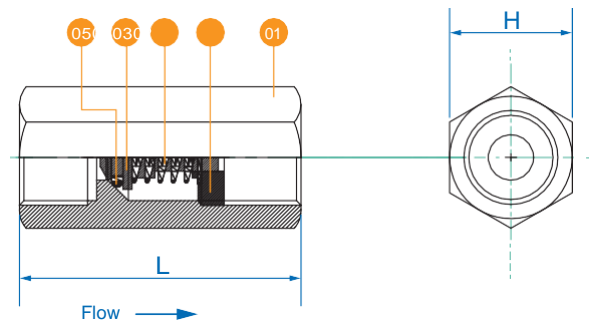
RANGE UP TO 3000 PSI

Valve Features

- Working pressure up to 3000 PSI
- Single body construction
- Full material traceability
- Working temperature between -23°C to 150°C
- 100% Quality Tested (in House)
- Cracking pressure between 0.5 bar to 1.7 bar
- Material of construction SS304L / SS316L

Components Key

Sl. No.	Description	Material	Quantity No.
1	Valve Body	SS316	1
2	Check (Lock) Nut	SS316	1
3	Spring	SS	1
4	Piston	SS316	1
5	Soft O-ring	Viton	1



MP-H Series - NPT - 3000 PSI

Partno.	Connection Size-Inch Female	L-Valve Length mm	H-Hex mm
IV-MP-H-CV-1-N4F-F	1/4	55.00	19.00
IV-MP-H-CV-1-N6F-F	3/8	62.00	22.00
IV-MP-H-CV-1-N8F-F	1/2	68.00	27.00
IV-MP-H-CV-1-N12F-F	3/4	80.00	32.00
IV-MP-H-CV-1-N16F-F	1	95.00	36.00
IV-HD-H-BV-2-G16F-F	1	108.00	14.00

HIGH PRESSURE CHECK VALVES

HP-H Series - Hexagonal body - 2-piece

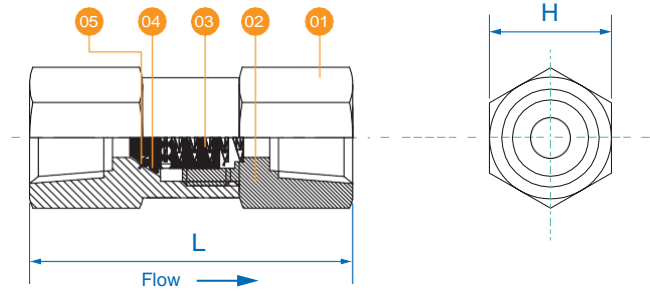
RANGE UP TO 6000 PSI

Valve Features

- Working pressure up to 6000 PSI
- Working temperature between -23°C to 200°C
- Full material traceability
- 100% quality tested (in house)
- Cracking pressure between 0.5 bar to 2.0 bar
- Material of construction SS304L / SS316L

Components Key

Sl. No.	Description	Material	Quantity No.
1	Valve Body	SS316	1
2	End Connector	SS316	1
3	Spring	SS	1
4	Piston	SS316	1
5	Soft O-ring	Viton	1



HP-H Series - NPT - 6000 PSI

Partno.	Connection Size - Inch Female	L-Valve Length mm	H-Hex mm
IV-HP-H-CV-2-N4F-F	1/4	62.00	22.00
IV-HP-H-CV-2-N6F-F	3/8	62.00	25.00
IV-HP-H-CV-2-N8F-F	1/2	68.00	32.00
IV-HP-H-CV-2-N12F-F	3/4	80.00	36.00
IV-HP-H-CV-2-N16F-F	1	95.00	41.00
IV-HD-H-BV-2-G16F-F	1	108.00	14.00

HIGH PRESSURE CHECK VALVES (COMPRESSION TUBE END CONNECTION)

HP-H Series - Hexagonal body

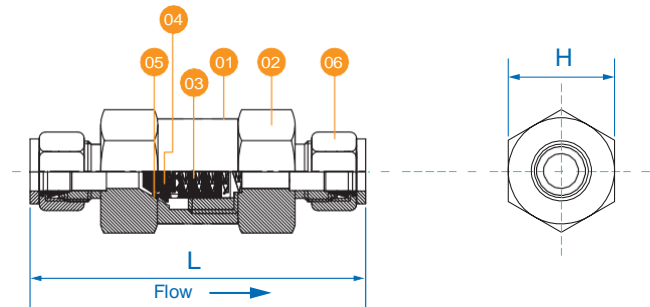
RANGE UP TO 6000 PSI

Valve Features

- Working pressure up to 6000 PSI
- Working temperature between -23°C to 200°C
- Full material traceability
- 100% Quality Tested (in House)
- Cracking pressure between 0.5 bar to 2.0 bar
- Material of construction SS304L / SS316L

Components Key

Sl. No.	Description	Material	Quantity No.
1	Valve Body	SS316	1
2	End Connector	SS316	1
3	Spring	SS	1
4	Piston	SS316	1
5	Soft O-ring	Viton	1
6	Nut and Ferrule set	SS316	2



HP-H Series - Tube Inch - 6000 PSI

Partno.	Connection Size - Inch Tube	L-Valve Length mm	H-Hex mm
IV-HP-H-CV-2-N4	1/4	69.00	22.00
IV-HP-H-CV-2-N6	3/8	72.00	25.00
IV-HP-H-CV-2-N8	1/2	74.00	32.00
IV-HP-H-CV-2-N12	3/4	86.00	36.00
IV-HP-H-CV-2-N16	1	102.00	41.00

HP-H Series - Tube Metric - 6000 PSI

Partno.	Connection Size - mm Tube	L-Valve Length mm	H-Hex mm
IV-HP-H-CV-2-M4	1/4	69.00	22.00
IV-HP-H-CV-2-M6	3/8	72.00	25.00
IV-HP-H-CV-2-M8	1/2	74.00	32.00
IV-HP-H-CV-2-M12	3/4	86.00	36.00
IV-HP-H-CV-2-M16	1	102.00	41.00

HIGH PRESSURE CHECK VALVES (Male x Female Connection)

HP-H Series - Hexagonal body - 2 piece

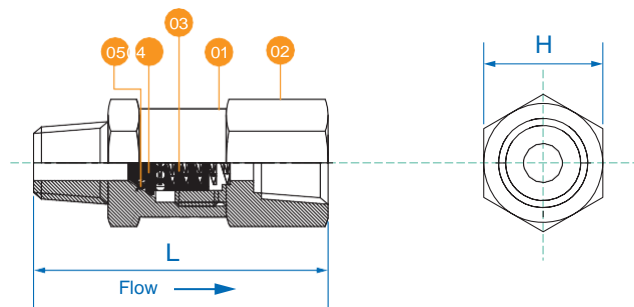
RANGE UP TO 6000 PSI

Valve Features

- Working pressure up to 6000 PSI
- Working Temperature between -23°C to 200°C
- Full material Traceability
- 100% Quality Tested (in House)
- Cracking pressure between 0.5 bar to 2.0 bar
- Material of construction SS 304L / SS 316L

Components Key

Sl. No.	Description	Material	Quantity No.
1	Valve Body	SS316	1
2	End Connector	SS316	1
3	Spring	SS	1
4	Piston	SS316	1
5	Soft O-ring	Viton	1



HP-H Series - NPT - 6000 PSI

Partno.	Connection Size - Inch Male & Female	L - Valve Length mm	H - Hex mm
IV-HP-H-CV-2-N4M-F	1/4	65.00	22.00
IV-HP-H-CV-2-N6M-F	3/8	65.00	25.00
IV-HP-H-CV-2-N8M-F	1/2	71.00	32.00
IV-HP-H-CV-2-N12M-F	3/4	85.00	36.00
IV-HP-H-CV-2-N16M-F	1	100.00	41.00

HIGH PRESSURE CHECK VALVES (Male x Male Connection)

HP-H Series - Hexagonal body - 2 piece

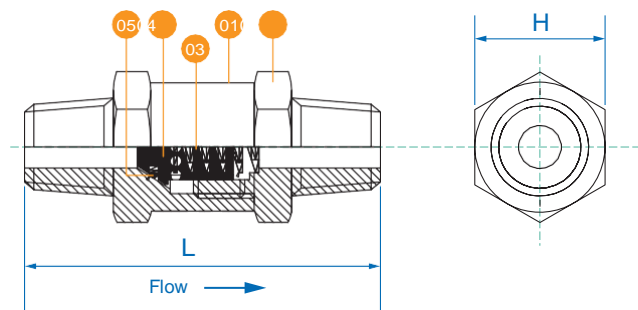
RANGE UP TO 6000 PSI

Valve Features

- Working pressure up to 6000 PSI
- Working Temperature between -23°C to 200°C
- Full material Traceability
- 100% Quality Tested (in House)
- Cracking pressure between 0.5 bar to 2.0 bar
- Material of construction SS 304L / SS 316L

Components Key

Sl. No.	Description	Material	Quantity No.
1	Valve Body	SS316	1
2	End Connector	SS316	1
3	Spring	SS	1
4	Piston	SS316	1
5	Soft O-ring	Viton	1



HP-H Series - NPT - 6000 PSI

Partno.	Connection Size - Inch Male	L-Valve Length mm	H-Hex mm
IV-HP-H-CV-2-N4M-M	1/4	68.00	22.00
IV-HP-H-CV-2-N6M-M	3/8	68.00	25.00
IV-HP-H-CV-2-N8M-M	1/2	73.00	32.00
IV-HP-H-CV-2-N12M-M	3/4	88.00	36.00
IV-HP-H-CV-2-N16M-M	1	104.00	41.00

HEAVYDUTYHIGH PRESSURECHECKVALVES(FemalexFemale) HD-HSeries-Hex.Body-2piece

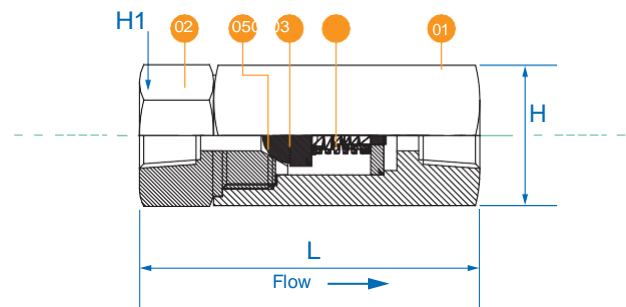
RANGEUPTO10000PSI

ValveFeatures

- Workingpressureupto10000PSI
- WorkingTemperaturebetween-23oCto200oC
- Full material Traceability
- 100%QualityTested(inHouse)
- Crackingpressurebetween0.5barto2.0bar
- Material of construction SS 304L/SS 316L

ComponentsKey

Sl. No.	Description	Material	QuantityNo.
1	ValveBody	SS316	1
2	EndConnector	SS316	1
3	Spring	SS	1
4	Piston	SS316	1
5	SoftOring	Viton	1



HD-HSeries-NPT-10000PSI

Partno.	Con. Size-Inch Female	L-Valve Length mm	H-Hex mm	H1-Hex mm
IV-HD-H-CV-2-N4F-F	1/4"NPT	76.00	32.00	27.00
IV-HD-H-CV-2-N6F-F	3/8"NPT	76.00	32.00	27.00
IV-HD-H-CV-2-N8F-F	1/2"NPT	86.00	38.00	32.00
IV-HD-H-CV-2-N12F-F	3/4"NPT	98.00	46.00	41.00
IV-HD-H-CV-2-N16F-F	1"NPT	106.00	50.00	46.00

Note:Products Conformto NACEMR 0175andfromothermaterials/Threadsavailable onrequest



KOSTEVOLOK Needle Valves

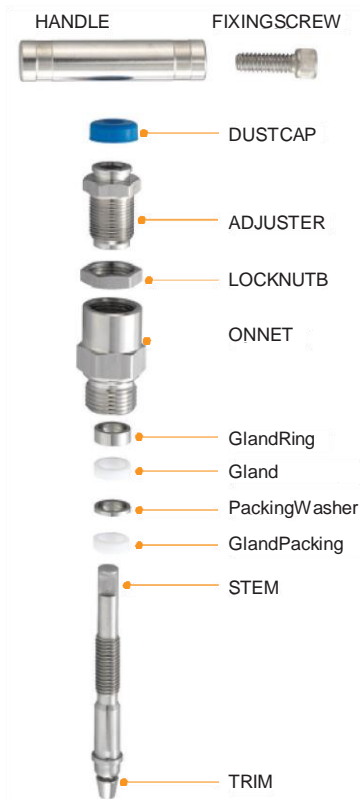
KOSTEVOLOK Needle Valves and manifolds are manufactured from SS304L/SS316L bar stock or forged material, are designed for operation with most of the fluids up to the pressure of 10000 PSI. Valves are complete with gland packing of high grade PTFE and for high temperature application Graphoil gland is used.

⚠WARNING:

When selecting a product, the system designers shall ensure the safe performance of the system. The system Designer and Users shall be responsible for Function, material compatibility, adequate rating, proper installation, safe operation and maintenance of the system.

IDEALLOKNEEDLEVALVES

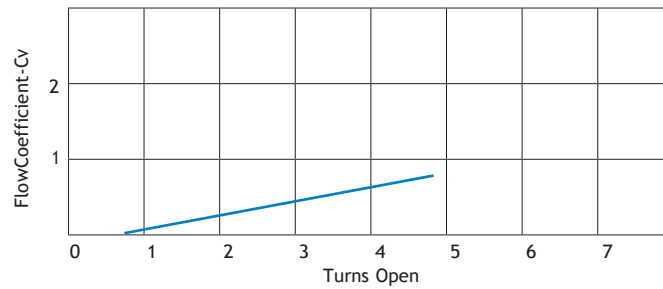
Material of Construction



Valve Features

- Maximum working pressure 6000PSI & 10000PSI at 100oF (38oC)
- Working Temperature -10oF (-23oC) to 464oF (240oC) & -65oF (-54oC) to 842oF (450oC)
- Nonrotating stem design reduce galling and provide excellent seal on seat
- Stem threads are rolled and lubricated to prevent galling and reduces operating torque
- PTFE packing is standard and for higher temperature application Graphite is used
- Gland packing can be adjusted to extend the valve life.
- Back seat stop stem for blowout prevention
- Bonnet lock pin prevents accidental removal while in operation
- Low Torque operating T-bar Handle
- 100% Quality Tested
- Full Material Traceability
- Hydrotest performed @ of 1.5 times of working pressure
- Protective Dust cap provided to prevent contaminants entry
- Sour gas service conform to NACE MR0175 is optional
- Flow coefficient 0.4 standard

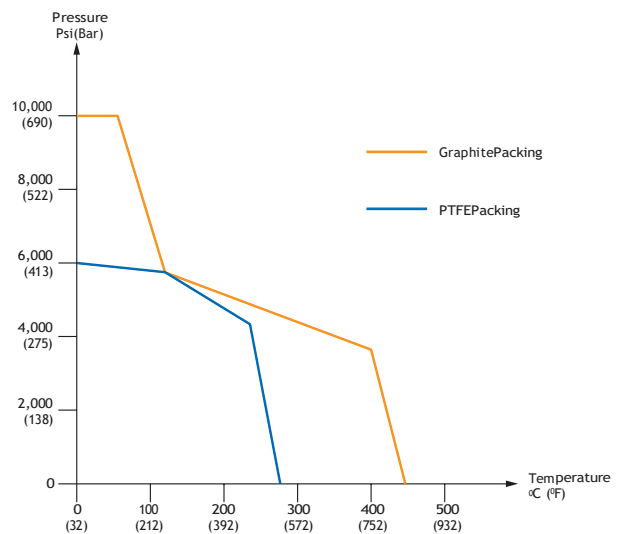
Flow Characteristics



Components Key

Sl. No.	Description	Material
1	Valve Body	SS316L
2	Bonnet	SS316L
3	Stem	SS316L
4	Adjuster	SS316L
5	Lock Nut	SS316L
6	Handle	SS304
7	Fixing Screw	SS
8	Gland Packing	PTFE
9	Washer	SS316L
10	Gland Ring	SS316L
11	Dust Cap	PE
12	Stopper Pin	SS304
13	Bleed Screw	SS316L

Pressure Vs Temperature



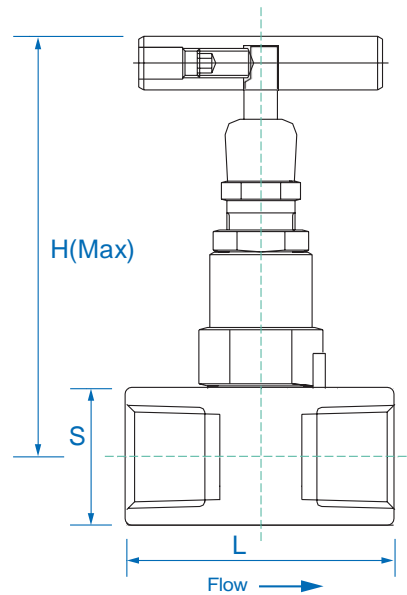
Thread Specification

Thread	Specification
NPT	ASME B1.20.1, SAE AS71051
ISO/BSPP	ISO 228, BS 2779
ISO/BSP(Gauge)	Unified (SAE)-ISO 228, BS 2779, ASME B1.1

HIGH PRESSURE NEEDLE VALVES (Female x Female Connection)

Components Key

Sl. No.	Description	Material	Quantity No.
1	Valve Body	SS316L	1
2	Gland Body	SS316L	1
3	Gland Retainer	SS304	1
4	Gland Packing	PTFE	2
5	Check Nut	SS304	1
6	Stem	SS316L	1
7	Trim	SS316L	1
8	Handle	SS304	1
9	Allen Bolt	SS304	1
10	Lock Pin	SS304	1
11	Dust Cap	PE	1



HP-SS Series - Square body (Screwed Double Bonnet) RANGE UPTO 6000 PSI

HP-SS Series - NPT - 6000 PSI (Female x Female)

Partno.	Connection Size - Inch Female	L-Valve Length mm	S-Body mm	H-Height mm
IV-HP-S-NV-2B-N4F-F	1/4	49.00	22.00	92.00
IV-HP-S-NV-2B-N6F-F	3/8	49.00	25.00	92.00
IV-HP-S-NV-2B-N8F-F	1/2	65.00	28.00	96.00
IV-HP-S-NV-2B-N12F-F	3/4	72.00	36.00	110.00
IV-HP-S-NV-2B-N16F-F	1	86.00	45.00	116.00

HD-SS Series - Square body (Screwed Double Bonnet) RANGE UPTO 10000 PSI

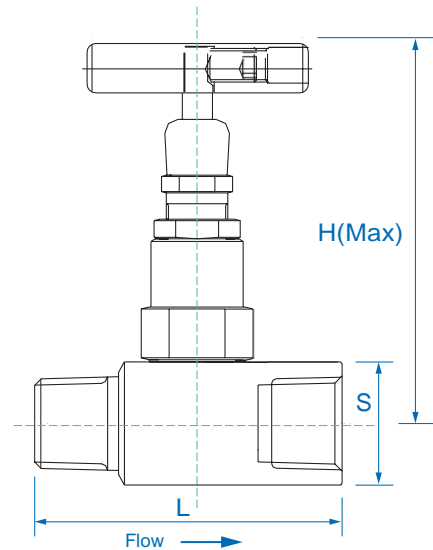
HD-SS Series - NPT - 10000 PSI (Female x Female)

Partno.	Connection Size - Inch Female	L-Valve Length mm	S-Body mm	H-Height mm
IV-HD-S-NV-2B-N4F-F	1/4	60.00	28.00	95.00
IV-HD-S-NV-2B-N6F-F	3/8	60.00	28.00	95.00
IV-HD-S-NV-2B-N8F-F	1/2	70.00	32.00	100.00
IV-HD-S-NV-2B-N12F-F	3/4	80.00	40.00	115.00
IV-HD-S-NV-2B-N16F-F	1	92.00	50.00	120.00

HIGH PRESSURE NEEDLE VALVES (Male x Female Connection)

Components Key

Sl. No.	Description	Material	Quantity No.
1	Valve Body	SS316L	1
2	Gland Body	SS316L	1
3	Gland Retainer	SS304	1
4	Gland Packing	PTFE	2
5	Check Nut	SS304	1
6	Stem	SS316L	1
7	Trim	SS316L	1
8	Handle	SS304	1
9	Allen Bolt	SS304	1
10	Lock Pin	SS304	1
11	Dust Cap	PE	1



HP-SSeries-Squarebody (Screwed Double Bonnet)

RANGE UPTO 6000 PSI

HP-SSeries-NPT-6000PSI (Male x Female)

Partno.	Connection Size-Inch	L-Valve Length mm	S-Body mm	H-Height mm
IV-HP-S-NV-2-N4M-F	1/4	49.00	22.00	92.00
IV-HP-S-NV-2-N6M-F	3/8	49.00	25.00	92.00
IV-HP-S-NV-2-N8M-F	1/2	65.00	28.00	96.00
IV-HP-S-NV-2-N12M-F	3/4	72.00	36.00	110.00
IV-HP-S-NV-2-N16M-F	1	86.00	45.00	116.00

HD-SSeries-Squarebody (Screwed Double Bonnet)

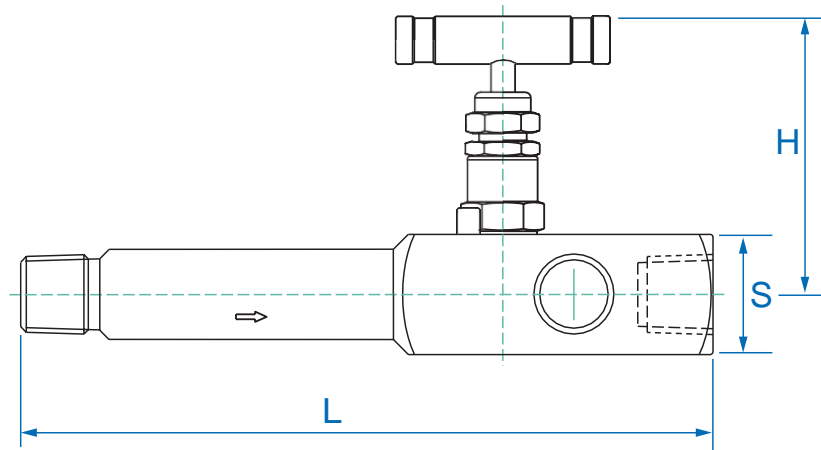
RANGE UPTO 10000 PSI

HD-SSeries-NPT-10000PSI (Male x Female)

Partno.	Connection Size-Inch	L-Valve Length mm	S-Body mm	H-Height mm
IV-HD-S-NV-2B-N4M-F	1/4	60.00	28.00	95.00
IV-HD-S-NV-2B-N6M-F	3/8	60.00	28.00	95.00
IV-HD-S-NV-2B-N8M-F	1/2	70.00	32.00	100.00
IV-HD-S-NV-2B-N12M-F	3/4	80.00	40.00	115.00
IV-HD-S-NV-2B-N16M-F	1	92.00	50.00	120.00

HD-S Series-Squarebody(ScrewedDoubleBonnet)-LongBody

RANGE UPTO 10000PSI



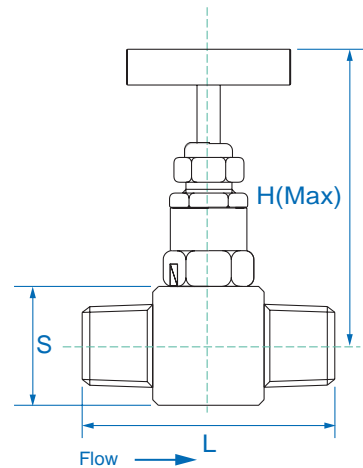
HD-S Series-NPT-10000PSI (Male x Female)

Partno.	Connection Size-Inch	L-Valve Lengthmm	S-Body mm	H-Height mm
IV-HD-S-NV-L-2B-N4M-F	1/4	160.00	28.00	95.00
IV-HD-S-NV-L-2B-N6M-F	3/8	160.00	28.00	95.00
IV-HD-S-NV-L-2B-N8M-F	1/2	184.00	32.00	100.00
IV-HD-S-NV-L-2B-N12M-F	3/4	184.00	40.00	115.00
IV-HD-S-NV-L-2B-N16M-F	1	192.00	50.00	120.00

HIGH PRESSURE NEEDLE VALVES (Male x Male Connection)

Components Key

Sl. No.	Description	Material	Quantity No.
1	Valve Body	SS316L	1
2	Gland Body	SS316L	1
3	Gland Retainer	SS304	1
4	Gland Packing	PTFE	2
5	Check Nut	SS304	1
6	Stem	SS316L	1
7	Trim	SS316L	1
8	Handle	SS304	1
9	Allen Bolt	SS304	1
10	Lock Pin	SS304	1
11	Dust Cap	PE	1



HP-SSeries-Squarebody (Screwed Double Bonnet) RANGE UPTO 6000PSI

HP-SSeries-NPT-6000PSI (Male x Male)

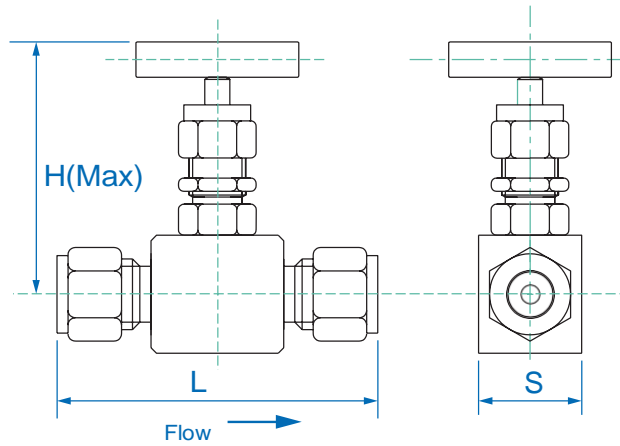
Partno.	Connection Size-Inch	L-Valve Length mm	S-Body mm	H-Height mm
IV-HP-S-NV-2-N4M-M	1/4	49.00	22.00	92.00
IV-HP-S-NV-2-N6M-M	3/8	49.00	25.00	92.00
IV-HP-S-NV-2-N8M-M	1/2	65.00	28.00	96.00
IV-HP-S-NV-2-N12M-M	3/4	72.00	36.00	110.00
IV-HP-S-NV-2-N16M-M	1	86.00	45.00	116.00

HD-SSeries-Squarebody (Screwed Double Bonnet) RANGE UPTO 10000PSI

HD-SSeries-NPT-10000PSI (Male x Male)

Partno.	Connection Size-Inch	L-Valve Length mm	S-Body mm	H-Height mm
IV-HD-S-NV-2B-N4M-M	1/4	60.00	28.00	95.00
IV-HD-S-NV-2B-N6M-M	3/8	60.00	28.00	95.00
IV-HD-S-NV-2B-N8M-M	1/2	70.00	32.00	100.00
IV-HD-S-NV-2B-N12M-M	3/4	80.00	40.00	115.00
IV-HD-S-NV-2B-N16M-M	1	92.00	50.00	120.00

HIGH PRESSURE NEEDLE VALVES (Tubex Tube Connection)



Components Key

Sl.No.	Description	Material	QuantityNo.
1	ValveBody	SS316L	1
2	GlandBody	SS316L	1
3	GlandRetainer	SS304	1
4	GlandPacking	PTFE	2
5	Check Nut	SS304	1
6	Stem	SS316L	1
7	Trim	SS316L	1
8	Handle	SS304	1
9	AllenBolt	SS304	1
10	LockPin	SS304	1
11	DustCap	PE	1
12	Nut&FerruleSet	SS316L	2

HP-S Series-Squarebody(IntegralDoubleBonnet)

RANGE UPTO 6000PSI

HP-S Series-TubeInch-6000PSI

Partno.	ConnectionSize-Inch	L-Valve Lengthmm	S-Body mm	H-Height mm
IV-HP-S-CTNV-I-2B-N4	1/4	54.00	22.00	92.00
IV-HP-S-CTNV-I-2B-N6	3/8	70.00	25.00	92.00
IV-HP-S-CTNV-I-2B-N8	1/2	75.00	28.00	96.00
IV-HP-S-CTNV-I-2B-N12	3/4	85.00	36.00	110.00
IV-HP-S-CTNV-I-2B-N16	1	102.00	45.00	116.00

HP-S Series-TubeMetric-6000PSI

Partno.	ConnectionSize-mm	L-Valve Lengthmm	S-Body mm	H-Height mm
IV-HP-S-CTNV-I-2B-M6	6	54.00	22.00	92.00
IV-HP-S-CTNV-I-2B-M8	8	70.00	25.00	92.00
IV-HP-S-CTNV-I-2B-M10	10	75.00	28.00	96.00
IV-HP-S-CTNV-I-2B-M12	12	85.00	36.00	110.00

HP-S Series-Squarebody(ScrewedDoubleBonnet)

RANGE UPTO 6000PSI

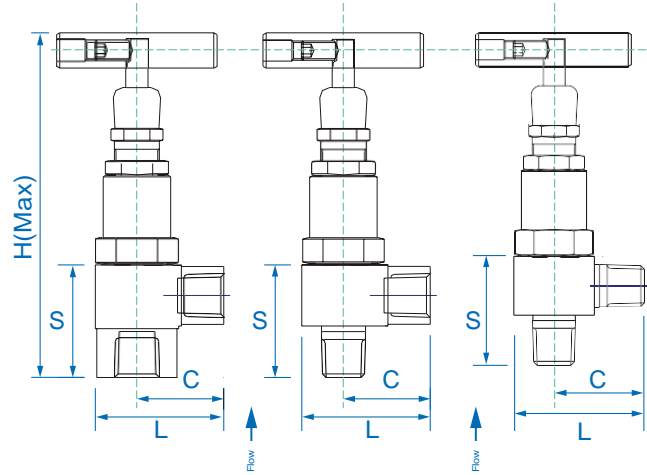
HP-S Series-TubeInch-6000PSI

Partno.	ConnectionSize-Inch	L-Valve Lengthmm	S-Body mm	H-Height mm
IV-HP-S-CTNV-2B-N4	1/4	54.00	22.00	92.00
IV-HP-S-CTNV-2B-N6	3/8	70.00	25.00	92.00
IV-HP-S-CTNV-2B-N8	1/2	75.00	28.00	96.00
IV-HP-S-CTNV-2B-N12	3/4	85.00	36.00	110.00
IV-HP-S-CTNV-2B-N16	1	102.00	45.00	116.00

HP-S Series-TubeMetric-6000PSI

Partno.	ConnectionSize-mm	L-Valve Lengthmm	S-Body mm	H-Height mm
IV-HP-S-CTNV-2B-M6	6	54.00	22.00	92.00
IV-HP-S-CTNV-2B-M8	8	70.00	25.00	92.00
IV-HP-S-CTNV-2B-M10	10	75.00	28.00	96.00
IV-HP-S-CTNV-2B-M12	12	85.00	36.00	110.00

HIGH PRESSURE ANGLE NEEDLE VALVES



Components Key

Sl.No.	Description	Material	QuantityNo.
1	ValveBody	SS316L	1
2	GlandBody	SS316L	1
3	GlandRetainer	SS304	1
4	GlandPacking	PTFE	2
5	Check Nut	SS304	1
6	Stem	SS316L	1
7	Trim	SS316L	1
8	Handle	SS304	1
9	AllenBolt	SS304	1
10	LockPin	SS304	1
11	DustCap	PE	1

HP-SSeries-Squarebody(ScrewedDoubleBonnet)

RANGE UPTO 6000PSI

HP-SSeries-NPT-6000PSI(FemalexFemale)

Partno.	ConnectionSize-Inch	L-Valve Lengthmm	C-Length mm	S-Body mm	H-Height mm
IV-HP-S-A-NV-2-N4F-F	1/4	44.00	29	39.00	115.00
IV-HP-S-A-NV-2-N6F-F	3/8	44.00	29	39.00	115.00
IV-HP-S-A-NV-2-N8F-F	1/2	50.00	35	47.00	125.00

HP-SSeries-NPT-6000PSI(MalexFemale)

Partno.	ConnectionSize-Inch	L-Valve Lengthmm	C-Length mm	S-Body mm	H-Height mm
IV-HP-S-A-NV-2-N4M-F	1/4	44.00	29	39.00	115.00
IV-HP-S-A-NV-2-N6M-F	3/8	44.00	29	39.00	115.00
IV-HP-S-A-NV-2-N8M-F	1/2	50.00	35	47.00	125.00

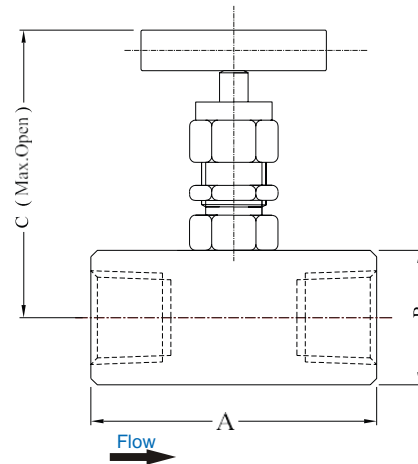
HP-SSeries-NPT-6000PSI(MalexMale)

Partno.	ConnectionSize-Inch	L-Valve Lengthmm	C-Length mm	S-Body mm	H-Height mm
IV-HP-S-A-NV-2-N4M-M	1/4	44.00	29	39.00	115.00
IV-HP-S-A-NV-2-N6M-M	3/8	44.00	29	39.00	115.00
IV-HP-S-A-NV-2-N8M-M	1/2	50.00	35	47.00	125.00

PANELMOUNTNEEDLEVALVES(FemalexFemaleConnection)

ComponentsKey

Sl. No.	Description	Material	QuantityNo.
1	ValveBody	SS316L	1
2	GlandBody	SS316L	1
3	GlandRetainer	SS304	1
4	GlandPacking	PTFE	2
5	Check Nut	SS304	1
6	Stem	SS316L	1
7	Trim	SS316L	1
8	Handle	SS304	1
9	AllenBolt	SS304	1
10	LockPin	SS304	1
11	DustCap	PE	1



HP-S-PSeries-Squarebody(ScrewedDoubleBonnet) RANGEUPTO6000PSI

HP-S-PSeries-NPT-6000PSI(FemalexFemale)

Partno.	Connection Size-Inch	L-Valve Length mm(A)	S-Body mm (B)	H-Height mm(C)
IV-HP-S-PNV-2B-N4F-F	1/4	49.00	22.00	92.00
IV-HP-S-PNV-2B-N6F-F	3/8	49.00	25.00	92.00
IV-HP-S-PNV-2B-N8F-F	1/2	65.00	28.00	96.00
IV-HP-S-PNV-2B-N12F-F	3/4	72.00	36.00	110.00
IV-HP-S-PNV-2B-N16F-F	1	86.00	45.00	116.00

LP-S-PSeries-Squarebody(ScrewedDoubleBonnet) RANGEUPTO3000PSI

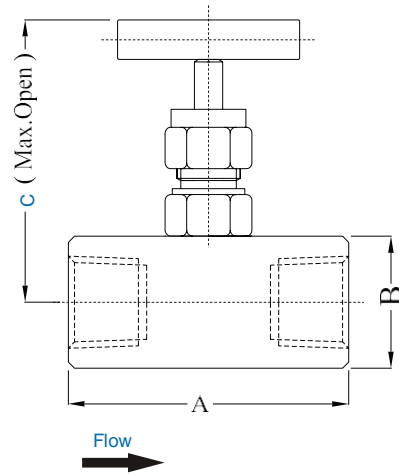
LP-S-PSeries-NPT-3000PSI(FemalexFemale)

Partno.	Connection Size-Inch	L-Valve Length mm(A)	S-Body mm (B)	H-Height mm(C)
IV-LP-S-P-NV-2B-N4F-F	1/4	45.00	19.00	65.00
IV-LP-S-P-NV-2B-N6F-F	3/8	45.00	22.00	65.00
IV-LP-S-P-NV-2B-N8F-F	1/2	56.00	25.00	68.00
IV-LP-S-P-NV-2B-N12F-F	3/4	68.00	32.00	75.00
IV-LP-S-P-NV-2B-N16F-F	1	80.00	40.00	116.00

NEEDLE VALVES SINGLE BONNET (Female x Female Connection)

Components Key

Sl. No.	Description	Material	Quantity No.
1	Valve Body	SS316L	1
2	Gland Body	SS316L	1
3	Gland Retainer	SS304	1
4	Gland Packing	PTFE	1
5	Check Nut	SS304	1
6	Stem	SS316L	1
7	Trim	SS316L	1
8	Handle	SS304	1
9	Allen Bolt	SS304	1
10	Lock Pin	SS304	1
11	Dust Cap	PE	1



HP-S Series - Square body (Screwed Single Bonnet) RANGE UPTO 6000 PSI

HP-S Series - NPT - 6000 PSI (Female x Female)

Partno.	Connection Size-Inch	L-Valve Length mm(A)	S-Body mm (B)	H-Height mm(C)
IV-HP-S-NV-1B-N4F-F	1/4	49.00	22.00	90.00
IV-HP-S-NV-1B-N6F-F	3/8	49.00	25.00	90.00
IV-HP-S-NV-1B-N8F-F	1/2	65.00	28.00	92.00
IV-HP-S-NV-1B-N12F-F	3/4	72.00	36.00	106.00
IV-HP-S-NV-2B-N16F-F	1	86.00	45.00	110.00

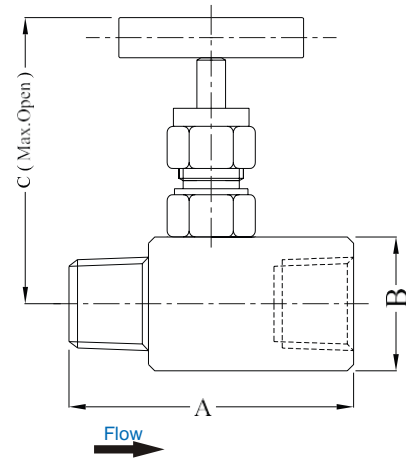
LP-S Series - NPT - 3000 PSI (Female x Female)

Partno.	Connection Size-Inch	L-Valve Length mm(A)	S-Body mm (B)	H-Height mm(C)
IV-HP-S-NV-1B-N4F-F	1/4	49.00	19.00	70.00
IV-HP-S-NV-1B-N6F-F	3/8	49.00	22.00	70.00
IV-HP-S-NV-1B-N8F-F	1/2	65.00	25.00	72.00
IV-HP-S-NV-1B-N12F-F	3/4	72.00	32.00	86.00
IV-HP-S-NV-2B-N16F-F	1	86.00	40.00	90.00

NEEDLE VALVES SINGLE BONNET (Male x Female Connection)

Components Key

Sl. No.	Description	Material	Quantity No.
1	Valve Body	SS316L	1
2	Gland Body	SS316L	1
3	Gland Retainer	SS304	1
4	Gland Packing	PTFE	1
5	Check Nut	SS304	1
6	Stem	SS316L	1
7	Trim	SS316L	1
8	Handle	SS304	1
9	Allen Bolt	SS304	1
10	Lock Pin	SS304	1
11	Dust Cap	PE	1



HP-S Series - Square body (Screwed Single Bonnet) RANGE UP TO 6000 PSI

HP-S Series - NPT - 6000 PSI (Male x Female)

Partno.	Connection Size-Inch	L-Valve Length mm(A)	S-Body mm (B)	H-Height mm(C)
IV-HP-S-NV-1B-N4M-F	1/4	49.00	22.00	90.00
IV-HP-S-NV-1B-N6M-F	3/8	49.00	25.00	90.00
IV-HP-S-NV-1B-N8M-F	1/2	65.00	28.00	92.00
IV-HP-S-NV-1B-N12M-F	3/4	72.00	36.00	106.00
IV-HP-S-NV-1B-N16M-F	1	86.00	45.00	110.00

LP-S Series - NPT - 3000 PSI (Male x Female)

Partno.	Connection Size-Inch	L-Valve Length mm(A)	S-Body mm (B)	H-Height mm(C)
IV-HP-S-NV-1B-N4M-F	1/4	49.00	19.00	70.00
IV-HP-S-NV-1B-N6M-F	3/8	49.00	22.00	70.00
IV-HP-S-NV-1B-N8M-F	1/2	65.00	25.00	72.00
IV-HP-S-NV-1B-N12M-F	3/4	72.00	32.00	86.00
IV-HP-S-NV-1B-N16M-F	1	86.00	40.00	90.00



KOSTEVOLOK Manifold Valves

⚠WARNING:

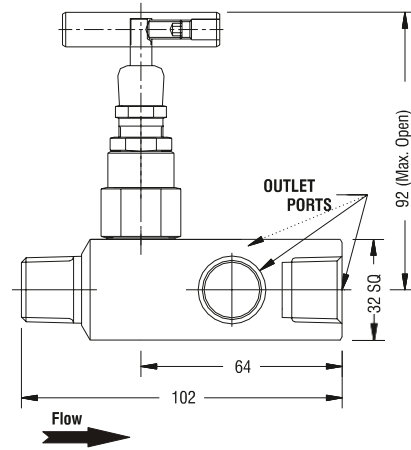
When selecting a product, the system designer shall ensure the safe performance of the system. The system Designer and User shall be responsible for Function, material compatibility, adequate rating, proper installation, safe operation and maintenance of the system.

KOSTEVOLOKMANIFOLDVALVES

HIGH PRESSURE MULTI PORT GAUGE VALVES HP-S Series - Square Body (Double Bonnet)

Valve Features

- Maximum working pressure 6000 PSI at 100°F (38°C)
- Working Temperature -65°F (-54°C) to 356°F (180°C)
- Non rotating stem design reduce galling and provide excellent seal on seat
- Stem threads are rolled and lubricated to prevent galling and reduces operating torque
- PTFE packing is standard and for higher temperature application Graphoil is used
- Gland packing can be adjusted to extend the valve life.
- Back seat stop stem for blowout prevention
- Bonnet lock pin prevents accidental removal while in operation
- Standard configuration of valve is one male inlet and three additional female port
- Low Torque operating T-bar Handle
- Multiport Gauge Valves facilitate versatile positioning of gauges/pressure switches without additional penetration of main piping
- 100% Quality Tested
- Full Material Traceability
- Hydrotest performed @ of 1.5 times of working pressure
- Protective Dust cap provided to prevent contaminants entry
- Sour gas service conform to NACE MR0175 is optional
- Flow coefficient 0.4 standard



Components Key

Sl. No.	Description	Material	Quantity No.
1	Valve Body	SS316L	1
2	Gland Body	SS316L	1
3	Gland Retainer	SS304	1
4	Gland Packing	PTFE	2
5	Check Nut	SS304	1
6	Stem	SS316L	1
7	Trim	SS316L	1
8	Handle	SS304	1
9	Allen Bolt	SS304	1
10	Lock Pin	SS304	1
11	Dust Cap	PE	1

HP-S Series - NPT - 6000 PSI

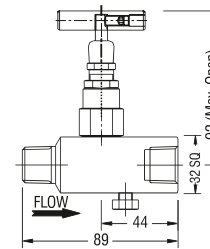
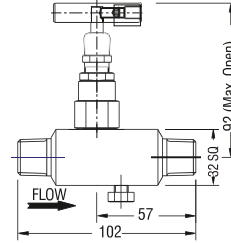
Partno.	Connection Size-Inch	L-Valve Length mm (A)	S-Body mm (B)	H-Height mm (C)
IV-HP-S-MPNV-2B-N8M-F	1/2-M-F	104.00	32.00	92.00
IV-HP-S-MPNV-2B-N8F-F	1/2-F-F	104.00	32.00	92.00
IV-HP-S-MPNV-2B-N12M-F	3/4-M-F	104.00	36.00	96.00

HIGH PRESSURE SINGLE BLOCK AND BLEED GAUGE VALVES

HP-S Series-Square Body (Double Bonnet)

Valve Features

- Maximum working pressure 6000 PSI at 100°F (38°C)
- Working Temperature -65°F (-54°C) to 356°F (180°C)
- Nonrotating stem design reduce galling and provide excellent seal on seat
- Stem threads are rolled and lubricated to prevent galling and reduces operating torque
- PTFE packing is standard and for high temperature application Graphoil is used
- Gland packing can be adjusted to extend the valve life.
- Back seat stop stem for blowout prevention
- Bonnet lock pin prevents accidental removal while in operation
- Valve designed for mount pressure gauges, pressure transmitters etc. and save cost, space and weight significantly
- Low Torque operating T-bar Handle
- 100% Quality Tested
- Full Material Traceability
- Hydrotest performed @ of 1.5 times of working pressure
- Protective Dust cap provided to prevent contaminants entry
- Source service conform to NACE MR0175 is optional



Components Key

Sl. No.	Description	Material	Quantity No.
1	Valve Body	SS316L	1
2	Gland Body	SS316L	1
3	Gland Retainer	SS304	1
4	Gland Packing	PTFE	2
5	Check Nut	SS304	1
6	Stem	SS316L	1
7	Trim	SS316L	1
8	Handle	SS304	1
9	Allen Bolt	SS304	1
10	Lock Pin	SS304	1
11	Dust Cap	PE	1

HP-S Series-NPT-6000PSI

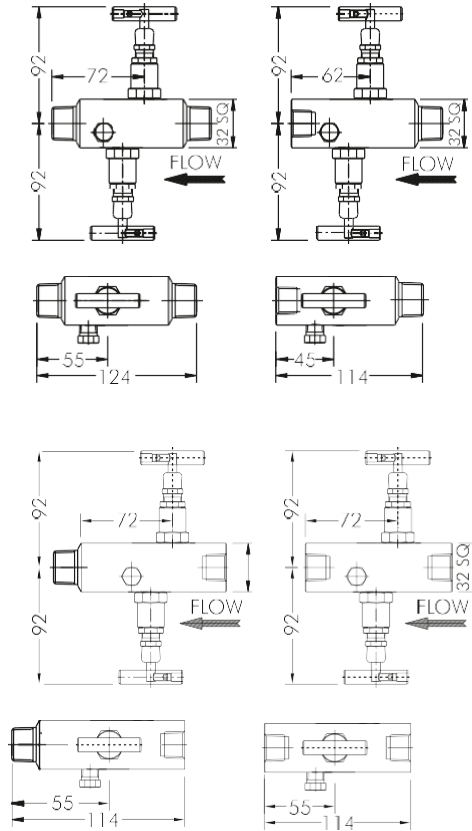
Partno.	Connection Size-Inch	L-Valve Length mm(A)	S-Body mm (B)	H-Height mm(C)
IV-HP-S-SBBNV-2B-N8M-F	1/2-M-F	92.00	32.00	92.00
IV-HP-S-SBBNV-2B-N8F-F	1/2-F-F	92.00	32.00	92.00
IV-HP-S-SBBNV-2B-N12M-F	3/4-M-F	104.00	36.00	96.00

HIGH PRESSURE DOUBLE BLOCK AND BLEED GAUGE VALVES

HP-S Series-Square Body (Double Bonnet)

Valve Features

- Maximum working pressure 6000 PSI at 100°F (38°C)
- Working Temperature -65°F (-54°C) to 356°F (180°C)
- Non rotating stem design reduce galling and provide excellent seal on seat
- Stem threads are rolled and lubricated to prevent galling and reduces operating torque
- PTFE packing is standard and for high temperature application Graphoil is used
- Gland packing can be adjusted to extend the valve life.
- Back seat stop stem for blowout prevention
- Bonnet lock pin prevents accidental removal while in operation
- Valve designed for mount pressure gauges, pressure transmitters etc. and save cost, space and weight significantly
- Low Torque operating T-bar Handle
- 100% Quality Tested
- Full Material Traceability
- Hydro test performed @ of 1.5 times of working pressure
- Protective Dust cap provided to prevent contaminants entry
- Sour gas service conform to NACE MR0175 is optional



HP-S Series-NPT-6000PSI

Part no.	Connection Size-Inch
IV-HP-S-DBBNV-2B-N8M-F	1/2-Male-Female
IV-HP-S-DBBNV-2B-N8F-F	1/2-Female-Female
IV-HP-S-DBBNV-2B-N8M-M	1/2-Male-Male
IV-HP-S-DBBNV-2B-N8F-M	1/2-Female-Male

Components Key

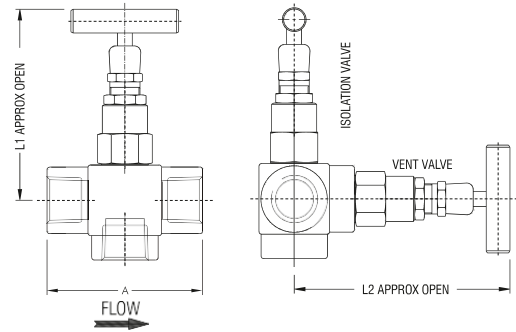
Sl. No.	Description	Material	Quantity No.
1	Valve Body	SS316L	1
2	Gland Body	SS316L	2
3	Gland Retainer	SS304	2
4	Gland Packing	PTFE	4
5	Check Nut	SS304	2
6	Stem	SS316L	2
7	Trim	SS316L	2
8	Handle	SS304	2
9	Allen Bolt	SS304	2
10	Lock Pin	SS304	2
11	Dust Cap	PE	2

HIGH PRESSURE TWO VALVE (THREE WAY) MANIFOLD

HP-Series-Double Bonnet

Valve Features

- Maximum working pressure 6000 PSI at 100°F (38°C)
- Working Temperature -65°F (-54°C) to 356°F (180°C)
- Non rotating stem design reduce galling and provide excellent seal on seat
- Stem threads are rolled and lubricated to prevent galling and reduces operating torque
- PTFE packing is standard and for higher temperature application Graphoil is used
- Gland packing can be adjusted to extend the valve life.
- Back seat stop stem for blowout prevention
- Bonnet lock pin prevents accidental removal while in operation
- Low Torque operating T bar Handle
- 100% Quality Tested
- Full Material Traceability
- Hydro test performed @ of 1.5 times of working pressure
- Protective Dust cap provided to prevent contaminants entry
- Sour gas service conform to NACE MR0175 is optional



Components Key

Sl. No.	Description	Material	Quantity No.
1	Valve Body	SS316L	1
2	Gland Body	SS316L	2
3	Gland Retainer	SS304	2
4	Gland Packing	PTFE	4
5	Check Nut	SS304	2
6	Stem	SS316L	2
7	Trim	SS316L	2
8	Handle	SS304	2
9	Allen Bolt	SS304	2
10	Lock Pin	SS304	2
11	Dust Cap	PE	2

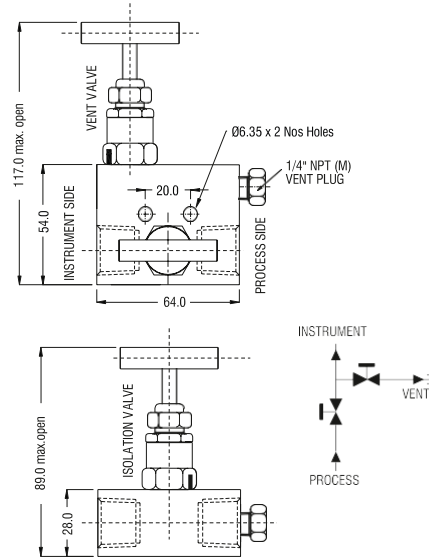
HP-SSeries-NPT-6000PSI

Partno.	Port Connection Size - Inch			L - mm	H - mm	H1 - mm
	Process	Drain	Gauge			
IV-HP-2V-3W-2B-M-N8-D4	1/2"-F	1/4"-F	1/2"-F	69	100	108
IV-HP-2V-3W-2B-M-N8-D8	1/2"-F	1/2"-F	1/2"-F	69	100	108

HIGH PRESSURE TWO VALVE MANIFOLD - REMOTE MOUNT (Pipex Pipe) HP-Series-Double Bonnet

Valve Features

- Maximum working pressure 6000 PSI at 100°F (38°C)
- Working Temperature -65°F (-54°C) to 356°F (180°C)
- Non-rotating stem design reduce galling and provide excellent seal on seat
- Stem threads are rolled and lubricated to prevent galling and reduces operating torque
- PTFE packing is standard and for higher temperature application Graphoil is used
- Gland packing can be adjusted to extend the valve life.
- Back seat stop stem for blowout prevention
- Bonnet lock pin prevents accidental removal while in operation
- Low Torque operating T-bar Handle
- 100% Quality Tested
- Full Material Traceability
- Hydro test performed @ of 1.5 times of working pressure
- Protective Dust cap provided to prevent contaminants entry
- Sour gas service conform to NACE MR0175 is optional



Components Key

Sl. No.	Description	Material	Quantity No.
1	Valve Body	SS316L	1
2	Gland Body	SS316L	2
3	Gland Retainer	SS304	2
4	Gland Packing	PTFE	4
5	Check Nut	SS304	2
6	Stem	SS316L	2
7	Trim	SS316L	2
8	Handle	SS304	2
9	Allen Bolt	SS304	2
10	Lock Pin	SS304	2
11	Dust Cap	PE	2

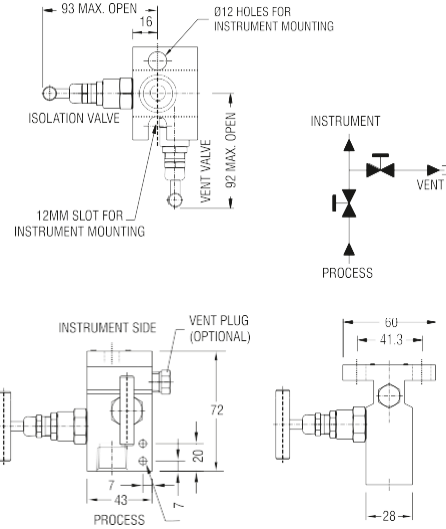
HP-SSeries-NPT-6000PSI

Partno.	Port Connection Size - Inch		
	Process	Vent	Instrument
IV-HP-2VMR-2B-N8F-F	1/2"-F	1/4"-F	1/2"-F

HIGH PRESSURE TWO VALVE MANIFOLD- 'T' Type (Pipex Flange) HP-Series-Double Bonnet

Valve Features

- Maximum working pressure 6000 PSI at 100°F (38°C)
- Working Temperature -65°F (-54°C) to 356°F (180°C)
- Non rotating stem design reduce galling and provide excellent seal on seat
- Stem threads are rolled and lubricated to prevent galling and reduces operating torque
- PTFE packing is standard and for higher temperature application Graphoil is used
- Gland packing can be adjusted to extend the valve life.
- Back seat stop stem for blowout prevention
- Bonnet lock pin prevents accidental removal while in operation
- Low Torque operating T-bar Handle
- 100% Quality Tested
- Full Material Traceability
- Hydro test performed @ of 1.5 times of working pressure
- Protective Dust cap provided to prevent contaminants entry
- Sour gas service conform to NACE MR0175 is optional



Components Key

Sl. No.	Description	Material	Quantity No.
1	Valve Body	SS316L	1
2	Gland Body	SS316L	2
3	Gland Retainer	SS304	2
4	Gland Packing	PTFE	4
5	Check Nut	SS304	2
6	Stem	SS316L	2
7	Trim	SS316L	2
8	Handle	SS304	2
9	Allen Bolt	SS304	2
10	Lock Pin	SS304	2
11	Dust Cap	PE	2

HP-Series-NPT-6000PSI

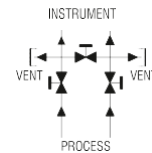
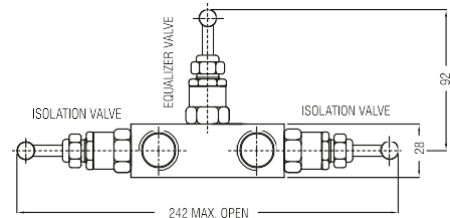
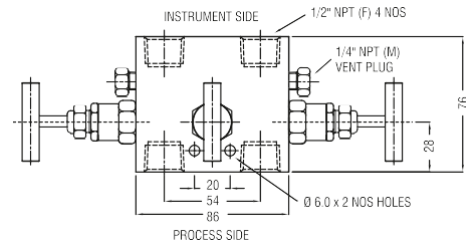
Partno.	Port Connection Size-Inch		
	Process	Vent	Instrument
IV-HP-2VMT-2B-N8F-FL	1/2"-F	1/4"-F	Flange

HIGH PRESSURE THREE VALVE MANIFOLD - REMOTE MOUNT (Pipex Pipe)

HP-Series-Double Bonnet

Valve Features

- Maximum working pressure 6000 PSI at 100°F (38°C)
- Working Temperature -65°F (-54°C) to 356°F (180°C)
- Non rotating stem design reduce galling and provide excellent seal on seat
- Stem threads are rolled and lubricated to prevent galling and reduces operating torque
- PTFE packing is standard and for higher temperature application Graphoil is used
- Gland packing can be adjusted to extend the valve life.
- Back seat stop stem for blowout prevention
- Bonnet lock pin prevents accidental removal while in operation
- Low Torque operating T-bar Handle
- 100% Quality Tested
- Full Material Traceability
- Hydro test performed @ of 1.5 times of working pressure
- Protective Dust cap provided to prevent contaminants entry
- Sour gas service conform to NACE MR0175 is optional



Components Key

Sl. No.	Description	Material	Quantity No.
1	Valve Body	SS316L	1
2	Gland Body	SS316L	3
3	Gland Retainer	SS304	3
4	Gland Packing	PTFE	6
5	Check Nut	SS304	3
6	Stem	SS316L	3
7	Trim	SS316L	3
8	Handle	SS304	3
9	Allen Bolt	SS304	3
10	Lock Pin	SS304	3
11	Dust Cap	PE	3

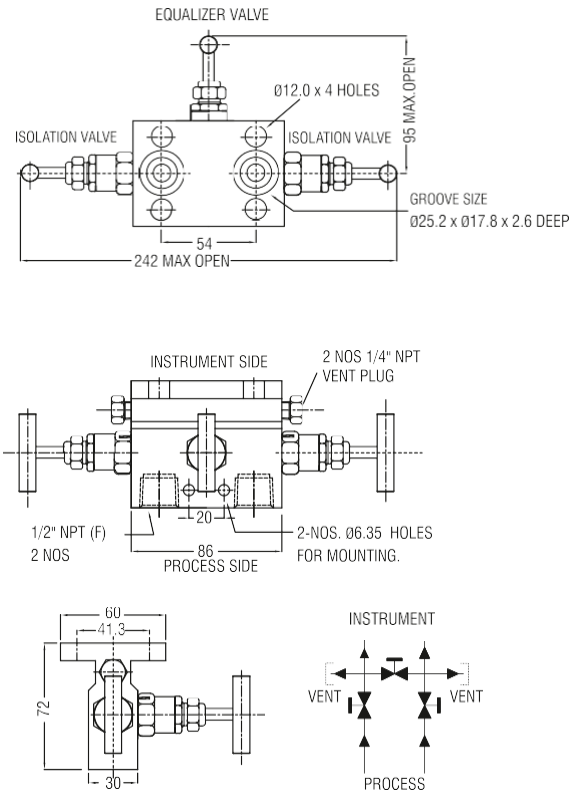
HP-Series-NPT-6000PSI

Partno.	Port Connection Size - Inch		
	Process	Vent	Instrument
IV-HP-3VMR-2B-N8F-F	1/2"-F	1/4"-F	1/2"-F

HIGH PRESSURE THREE VALVE MANIFOLD-DIRECT MOUNT-TT Type (Pipex Flange) HP-Series-Double Bonnet

Valve Features

- Maximum working pressure 6000 PSI at 100°F (38°C)
- Working Temperature -65°F (-54°C) to 356°F (180°C)
- Non rotating stem design reduce galling and provide excellent seal on seat
- Stem threads are rolled and lubricated to prevent galling and reduces operating torque
- PTFE packing is standard and for high temperature application Graphoil is used
- Gland packing can be adjusted to extend the valve life.
- Back seat stop stem for blowout prevention
- Bonnet lock pin prevents accidental removal while in operation
- Low Torque operating T-bar Handle
- 100% Quality Tested
- Full Material Traceability
- Hydro test performed @ of 1.5 times of working pressure
- Protective Dust cap provided to prevent contaminants entry
- Sour gas service conform to NACE MR0175 is optional



Components Key

Sl. No.	Description	Material	Quantity No.
1	Valve Body	SS316L	1
2	Gland Body	SS316L	2
3	Gland Retainer	SS304	2
4	Gland Packing	PTFE	4
5	Check Nut	SS304	2
6	Stem	SS316L	2
7	Trim	SS316L	2
8	Handle	SS304	2
9	Allen Bolt	SS304	2
10	Lock Pin	SS304	2
11	Dust Cap	PE	2

HP-Series-NPT-6000PSI

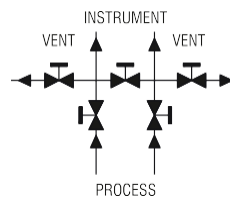
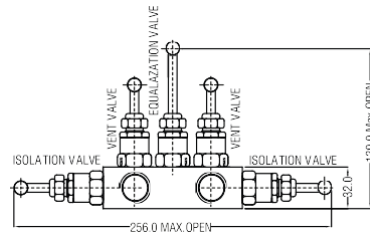
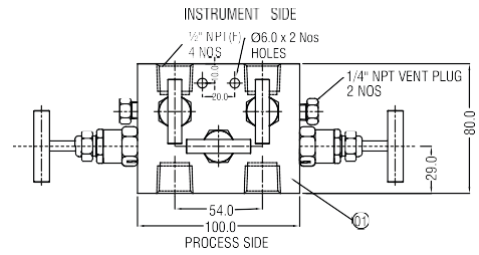
Partno.	Port Connection Size-Inch		
	Process	Vent	Instrument
IV-HP-2VMT-2B-N8F-FL	1/2"-F	1/4"-F	Flange

HIGH PRESSURE FIVE VALVE MANIFOLD - REMOTE MOUNT (Pipex Pipe)

HP-Series-Double Bonnet

Valve Features

- Maximum working pressure 6000 PSI at 100°F (38°C)
- Working Temperature -65°F (-54°C) to 356°F (180°C)
- Non rotating stem design reduce galling and provide excellent seal on seat
- Stem threads are rolled and lubricated to prevent galling and reduces operating torque
- PTFE packing is standard and for higher temperature application Graphoil is used
- Gland packing can be adjusted to extend the valve life.
- Back seat stop stem for blowout prevention
- Bonnet lock pin prevents accidental removal while in operation
- Low Torque operating T-bar Handle
- 100% Quality Tested
- Full Material Traceability
- Hydro test performed @ of 1.5 times of working pressure
- Protective Dust cap provided to prevent contaminants entry
- Sour gas service conform to NACE MR0175 optional



Components Key

Sl. No.	Description	Material	Quantity No.
1	Valve Body	SS316L	1
2	Gland Body	SS316L	5
3	Gland Retainer	SS304	5
4	Gland Packing	PTFE	10
5	Check Nut	SS304	5
6	Stem	SS316L	5
7	Trim	SS316L	5
8	Handle	SS304	5
9	Allen Bolt	SS304	5
10	Lock Pin	SS304	5
11	Dust Cap	PE	5

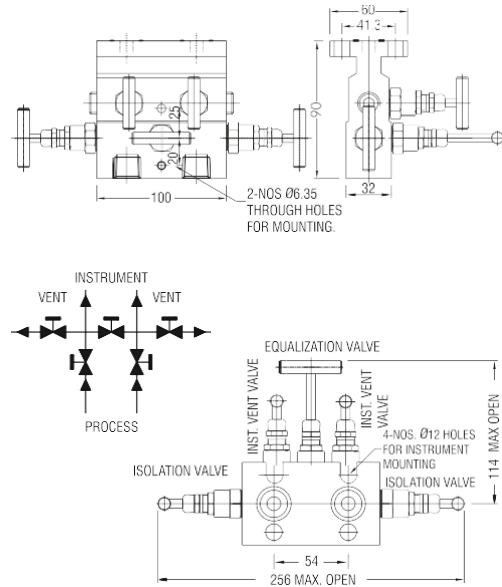
HP-Series-NPT-6000PSI

Partno.	Port Connection Size - Inch		
	Process	Vent	Instrument
IV-HP-5VMR-2B-N8F-F	1/2"-F	1/4"-F	1/2"-F

HIGH PRESSURE FIVE VALVE MANIFOLD - DIRECT MOUNT - TT Type (Pipex Flange) HP-Series-Double Bonnet

Valve Features

- Maximum working pressure 6000 PSI at 100°F (38°C)
- Working Temperature -65°F (-54°C) to 356°F (180°C)
- Non-rotating stem design reduces galling and provides excellent seal on seat
- Stem threads are rolled and lubricated to prevent galling and reduces operating torque
- PTFE packing is standard and for high temperature application Graphoil is used
- Gland packing can be adjusted to extend the valve life.
- Back seat stop stem for blowout prevention
- Bonnet lock pin prevents accidental removal while in operation
- Low Torque operating T-bar Handle
- 100% Quality Tested
- Full Material Traceability
- Hydro test performed @ of 1.5 times of working pressure
- Protective Dust cap provided to prevent contaminants entry
- Sour gas service conforms to NACE MR0175 optional



Components Key

Sl. No.	Description	Material	Quantity No.
1	Valve Body	SS316L	1
2	Gland Body	SS316L	5
3	Gland Retainer	SS304	5
4	Gland Packing	PTFE	10
5	Check Nut	SS304	5
6	Stem	SS316L	5
7	Trim	SS316L	5
8	Handle	SS304	5
9	Allen Bolt	SS304	5
10	Lock Pin	SS304	5
11	Dust Cap	PE	5

HP-Series-NPT-6000PSI

Partno.	Port Connection Size - Inch		
	Process	Vent	Instrument
IV-HP-5VMT-2B-N8F-FL	1/2"-F	1/4"-F	Flange



Contact No.:-+918454993337, +9197681 01316

sales@kostevo.com , info@kostevo.com

Address:-PAP-R-259, NEAR GOLDEN GARAGE RABALE MIDC, NAVI MUMBAI 400701 INDIA

